

PARTS CATALOGUE

AT115C (5LW7) MALAYSIA



1F5LW-440E1

()

AT115C
PARTS CATALOGUE
©2007 by Yamaha Motor Co., Ltd.
1st edition, May 2007
All rights reserved.
Any reprinting or unauthorized use
without the written permission of
Yamaha Motor Co., Ltd.
is expressly prohibited.
Printed in Japan.

FOREWORD

This Parts Catalogue is related to the parts for the model(s) on the cover page. When you are ordering replacement parts, please refer to this Parts Catalogue and quote both part numbers and part names correctly.

1. Modifications or additions which have been made after the issue of the Parts Catalogue will be announced in the Parts News.

It is advisable that you make the necessary corrections to the Parts Catalogue according to the Parts News.

2. Abbreviations

The following abbreviations are used in this Parts Catalogue.

“UR” Use specified parts number.

“UN” Use as many as needed.

“AP” Alternate Parts

“LM” Locally Made (Parts need to be ordered locally)

“F#” Frame No. (Applicable machine No.)

“O/S” Over Size

3. The number of components for assembly

- Parts, which are to be supplied in an assembly, are listed with a dot (.) in front of the part name as shown below.
- The numeral appearing to the right of each component part indicates the quantity of parts for each assembly unit.

PART NO.	DESCRIPTION	Q'TY	REMARKS
2F5-83310-60	FRONT FLASHER LIGHT ASSY	2	
115-83311-60	.BULB (6V-18W)	1	

4. Applicable colours of graphics are represented in the “REMARKS” as shown below.

PART NO.	DESCRIPTION	Q'TY	REMARKS
2N4-24110-00-X5	FUEL TANK COMP.	2	MXR
3J1-24240-10	.GRAPHIC, FUEL TANK	1	FOR MXR

5. Note that the illustrations for reference in finding parts numbers are not to be used for assembling. When assembling, please use the applicable service manual.

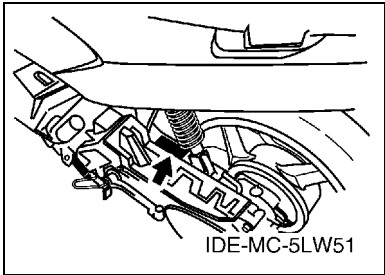
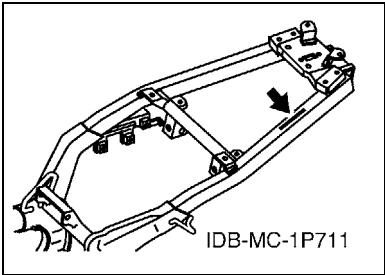
6. The asterisk (*) before a reference number indicates modified items after the first edition.

FOREWORD

7. Applicable Serial No.

Frame Serial No.

Engine Serial No.



8. Applicable Colour Code (The (*) mark shows Model colour.)

Abbreviation	Colour Name	Colour Code
BWC1(*)	BLUISH WHITE COCKTAIL 1	0390
DRMK(*)	DEEP RED METALLIC K	0918
SMX(*)	BLACK METALLIC X	0903
YB	YAMAHA BLACK	0033

9. Applicable Starting Serial No.

Frame Serial No.

Serial No.	Name Of Q'ty Column	Model Code

Engine Serial No.

Serial No.	Name Of Q'ty Column	Model Code

CONTENTS

ENGINE

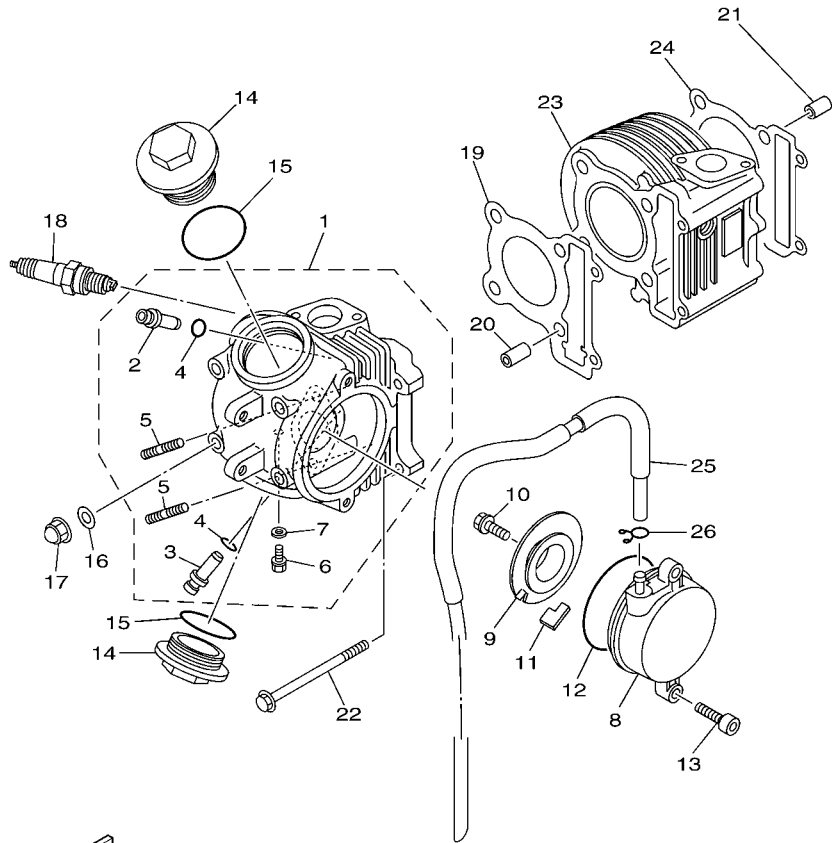
CYLINDER	1
CRANKSHAFT & PISTON	2
VALVE	3
CAMSHAFT & CHAIN	4
OIL PUMP	5
AIR SHROUD & FAN	6
INTAKE	7
CARBURETOR	8
EXHAUST	10
CRANKCASE	11
CRANKCASE COVER 1	13
STARTER	15
CLUTCH	16
TRANSMISSION	18

CHASSIS

FRAME	19
FENDER	20
SIDE COVER	21
REAR ARM & SUSPENSION	23
STEERING	24
FUEL TANK	26
SEAT	27
FRONT WHEEL	28
FRONT BRAKE CALIPER	29
REAR WHEEL	30
STEERING HANDLE & CABLE	31
FRONT MASTER CYLINDER	32
STAND & FOOTREST	33
LEG SHIELD	35
GENERATOR	37
STARTING MOTOR	38
METER	39
HEADLIGHT	40
TAILLIGHT	41
HANDLE SWITCH & LEVER	42
ELECTRICAL 1	43
ELECTRICAL 2	44

INDEX

NUMERICAL INDEX	45
-----------------------	----



5LW4440-B011

FIG. 1 CYLINDER

REF. NO.	PART NO.	DESCRIPTION	5LW7				REMARKS
1	5MX-E1102-00	CYLINDER HEAD ASSY	1				
2	5LW-11133-10	.GUIDE, VALVE 1	1				
3	5LW-11134-10	.GUIDE, VALVE 2	1				
4	93210-09800	.O-RING	2				
5	90116-08806	.BOLT, STUD	2				
6	90153-06803	.SCREW, HEXAGON	1				
7	90430-06014	.GASKET	1				
8	5LW-E1185-00	COVER, CYLINDER HEAD SIDE 1	1				
9	5LW-E1165-00	PLATE, BREATHER	1				
10	5LW-E3185-00	BOLT, BREATHER	1				
11	5LW-E1155-00	SEAL, LABYRINTH	1				
12	93210-71462	O-RING	1				
13	91317-06020	BOLT	2				
14	4ST-E1186-00	COVER, CYLINDER HEAD SIDE 2	2				
15	93210-448G4	O-RING	2				
16	90201-08609	WASHER, PLATE	4				
17	90176-08805	NUT, CROWN	4				
18	94701-00846	PLUG, SPARK (NGK CR7HSA)	1				
19	5LW-E1181-00	GASKET, CYLINDER HEAD 1	1				
20	99530-10114	PIN, DOWEL	2				
21	99530-10114	PIN, DOWEL	2				
22	95027-06100	BOLT, FLANGE	2				
23	5LW-E1310-00	CYLINDER	1				
24	5LW-E1351-00	GASKET, CYLINDER	1				
25	5LW-E4987-00	HOSE	1				
26	90467-09006	CLIP	1				

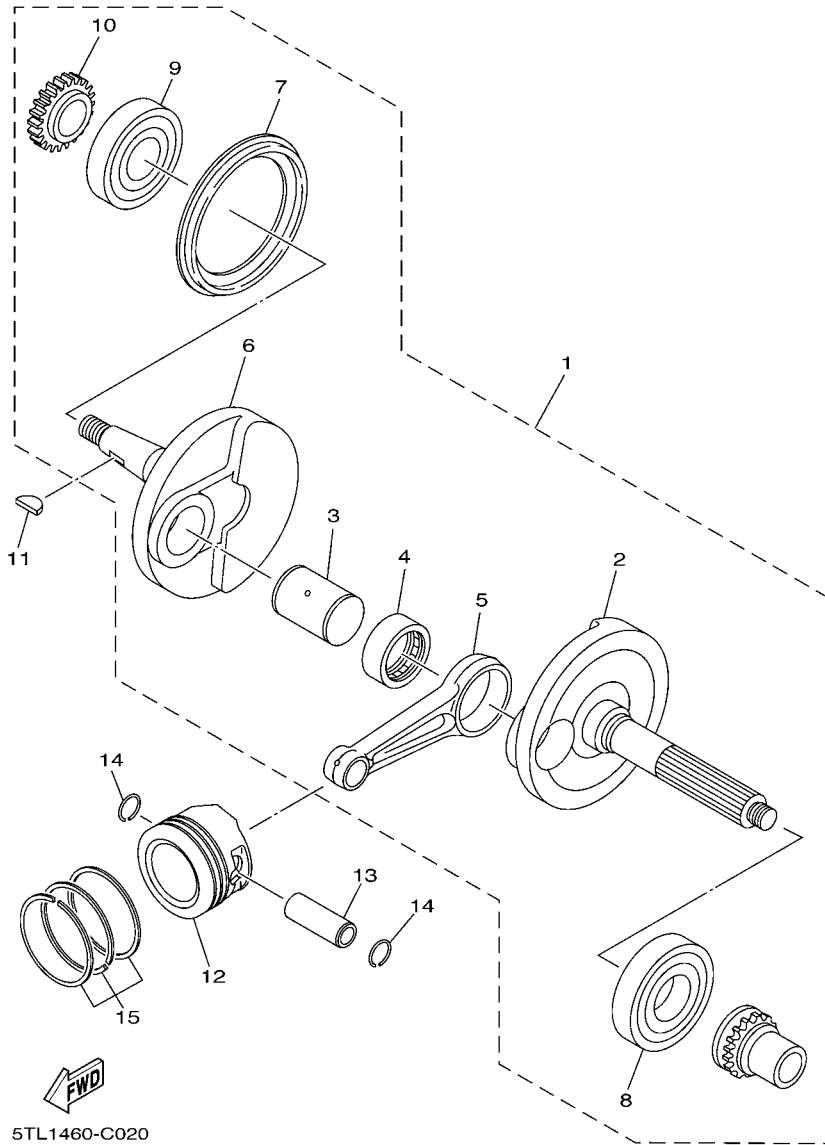


FIG. 2 CRANKSHAFT & PISTON

REF. NO.	PART NO.	DESCRIPTION	SLWT				REMARKS
1	5TL-E1400-10	CRANKSHAFT ASSY	1				
2	5TL-E1412-10	.CRANK 1	1				
3	5MX-E1681-10	.PIN, CRANK 1	1				
4	93310-528Y8	.BEARING	1				
5	5MX-E1651-01	.ROD, CONNECTING	1				
6	5TL-E1422-10	.CRANK 2	1				
7	5LW-E3452-00	.COVER, ROTOR FILTER	1				
8	93306-305X3	.BEARING	1				
9	93306-372Y2	.BEARING	1				
10	5TL-E3324-00	.GEAR, PUMP DRIVE	1				
11	90280-03017	KEY, WOODRUFF	1				
12	5MX-E1631-00	PISTON (STD)	1				
	5MX-E1636-00	PISTON (0.50MM O/S)	1				AP
	5MX-E1638-00	PISTON (1.00MM O/S)	1				AP
13	5MX-E1633-10	PIN, PISTON	1				
14	93450-16068	CIRCLIP	2				
15	5MX-E1603-00	PISTON RING SET (STD)	1				
	5MX-E1605-00	PISTON RING SET (0.50MM O/S)	1				AP
	5MX-E1607-00	PISTON RING SET (1.00MM O/S)	1				AP

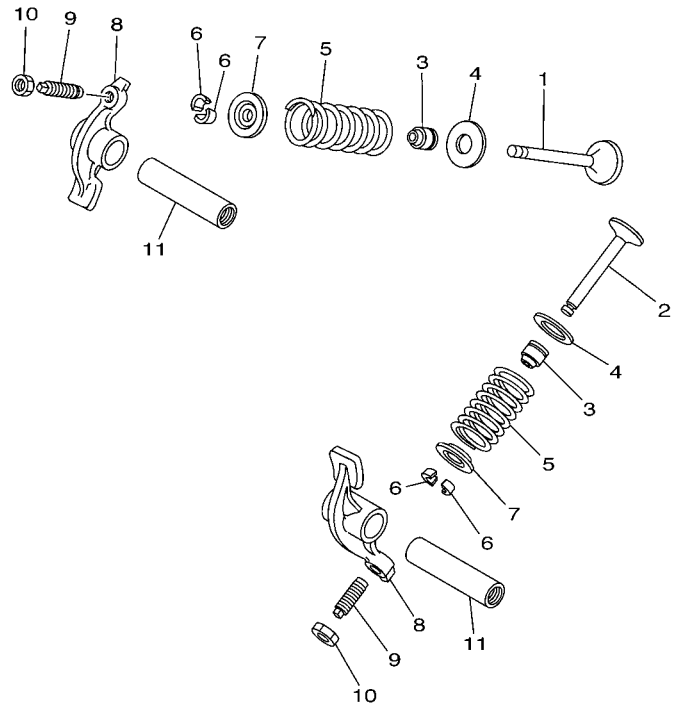
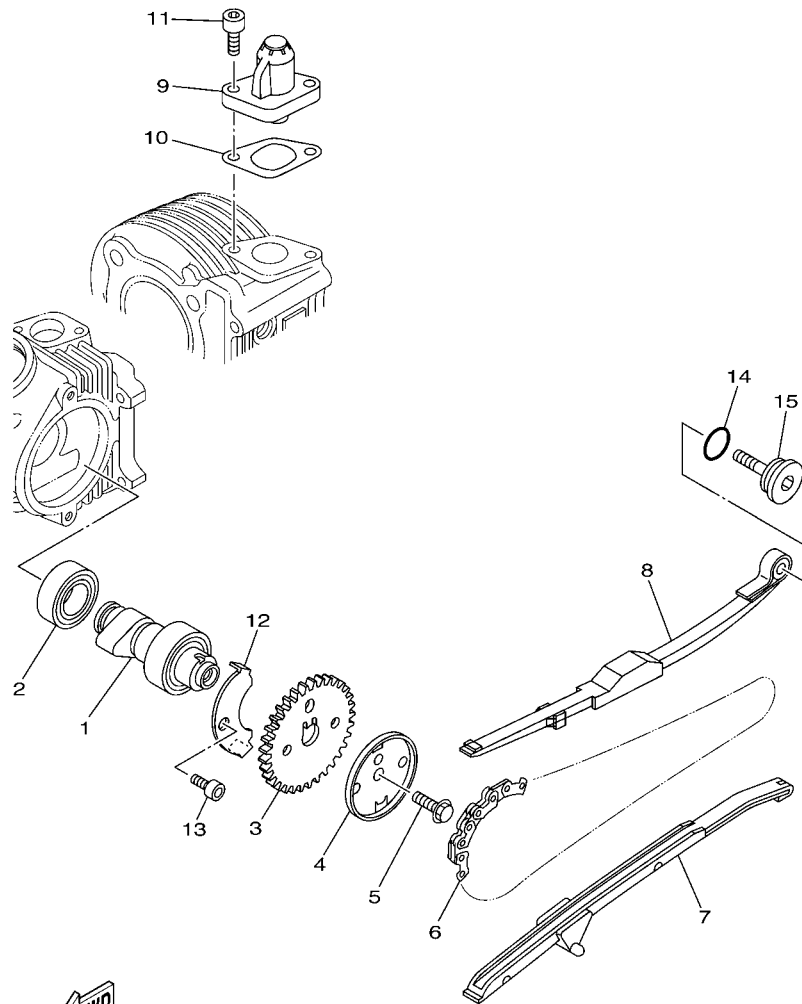


FIG. 3 VALVE

REF. NO.	PART NO.	DESCRIPTION	SLW7				REMARKS
1	5LW-E2111-00	VALVE, INTAKE	1				
2	5LW-E2121-00	VALVE, EXHAUST	1				
3	5MX-E2119-00	SEAL, VALVE STEM	2				
4	5MX-E2116-00	SEAT, VALVE SPRING	2				
5	5MX-E2113-00	SPRING, VALVE INNER	2				
6	5TL-E2118-00	COTTER, VALVE	4				
7	33M-12117-01	RETAINER, VALVE SPRING	2				
8	22F-12151-10	ARM, VALVE ROCKER	2				
9	22F-12159-00	SCREW, VALVE ADJUSTING	2				
10	90170-05302	NUT	2				
11	4ST-E2156-00	SHAFT, ROCKER 2	2				



5LW1440-A031

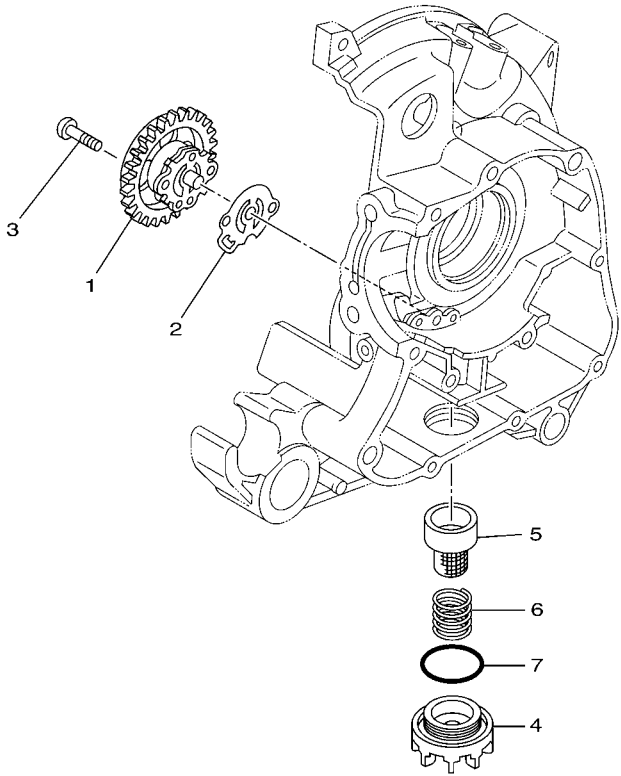


5TL1460-C041

FIG. 4 CAMSHAFT & CHAIN

REF. NO.	PART NO.	DESCRIPTION	SLW7				REMARKS
1	5LW-E2170-10	CAMSHAFT ASSY 1	1				
2	93306-002X2	BEARING	1				
3	5MX-E2176-00	SPROCKET, CAM CHAIN	1				
4	5MX-E1145-00	PLATE, BREATHER 2	1				
5	95817-08016	BOLT, FLANGE	1				
6	94568-A6090	CHAIN	1				
7	5VV-E2231-00	GUIDE, STOPPER 1	1				
8	5MX-E2241-00	GUIDE, STOPPER 2	1				
9	5MX-E2210-10	TENSIONER ASSY, CAM CHAIN	1				
10	5MX-E2213-00	GASKET, TENSIONER CASE	1				
11	91317-06016	BOLT	2				
12	5LW-E1111F-00	PLATE	1				
13	91317-06012	BOLT	1				
14	93210-15862	O-RING	1				
15	4CW-E2157-00	BOLT	1				

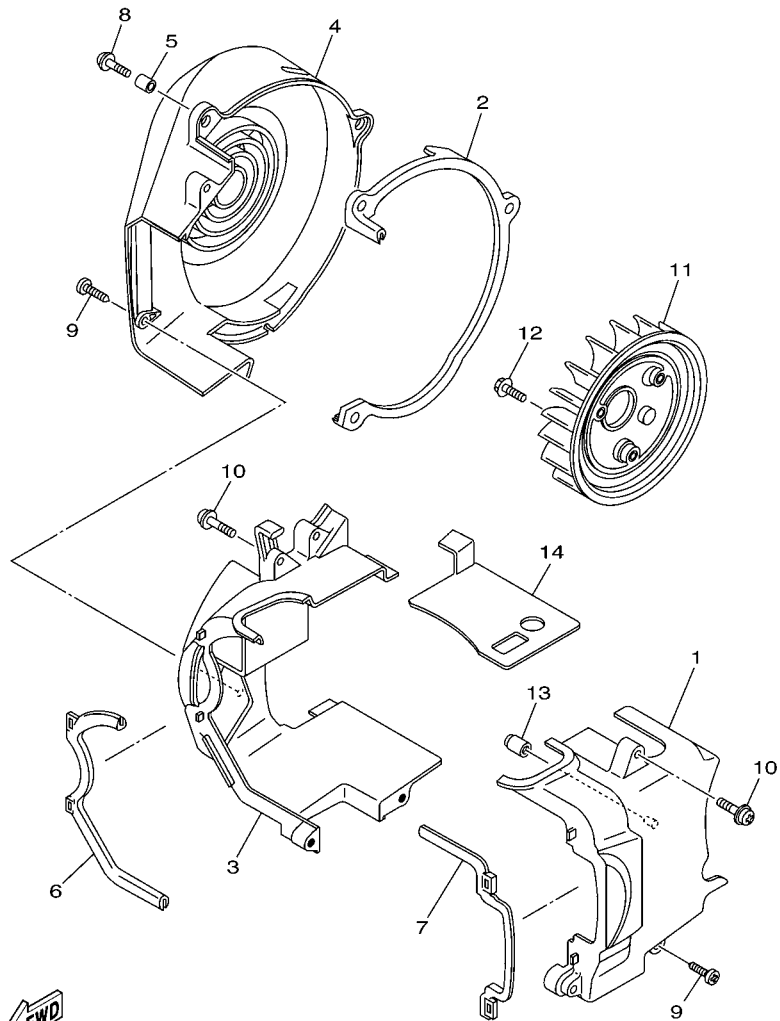
FIG. 5 OIL PUMP



REF. NO.	PART NO.	DESCRIPTION	5LW7				REMARKS
1	5MX-E3300-00	OIL PUMP ASSY	1				
2	5LW-E3475-00	GASKET	1				
3	98507-05020	SCREW, PAN HEAD	2				
4	5LW-E5351-00	PLUG, DRAIN	1				
5	5LW-E3411-00	STRAINER, OIL	1				
6	90501-16004	SPRING, COMPRESSION	1				
7	93210-29800	O-RING	1				



5TL1460-C050



5MY2431-C060

FIG. 6 AIR SHROUD & FAN

REF. NO.	PART NO.	DESCRIPTION	SLW7				REMARKS
1	5LW-E2651-00	AIR SHROUD, CYLINDER 1	1				
2	5LW-E2658-00	DAMPER, AIR SHROUD 1	1				
3	5LW-E2652-00	AIR SHROUD, CYLINDER 2	1				
4	5LW-E2653-00	AIR SHROUD, CYLINDER 3	1				
5	90387-067V1	COLLAR	3				
6	5LW-E2659-02	DAMPER, AIR SHROUD 2	1				
7	5LW-E2668-02	DAMPER, AIR SHROUD 3	1				
8	97607-06220	SCREW, WITH WASHER	3				
9	97707-60530	SCREW, TAPPING	4				
10	97607-06225	SCREW, WITH WASHER	2				
11	5LW-E2611-00	FAN	1				
12	95027-06012	BOLT, FLANGE	3				
13	5LW-E3569-00	PLUG, BLIND	1				
14	5LW-E2631-00	DEFLECTOR 1	1				

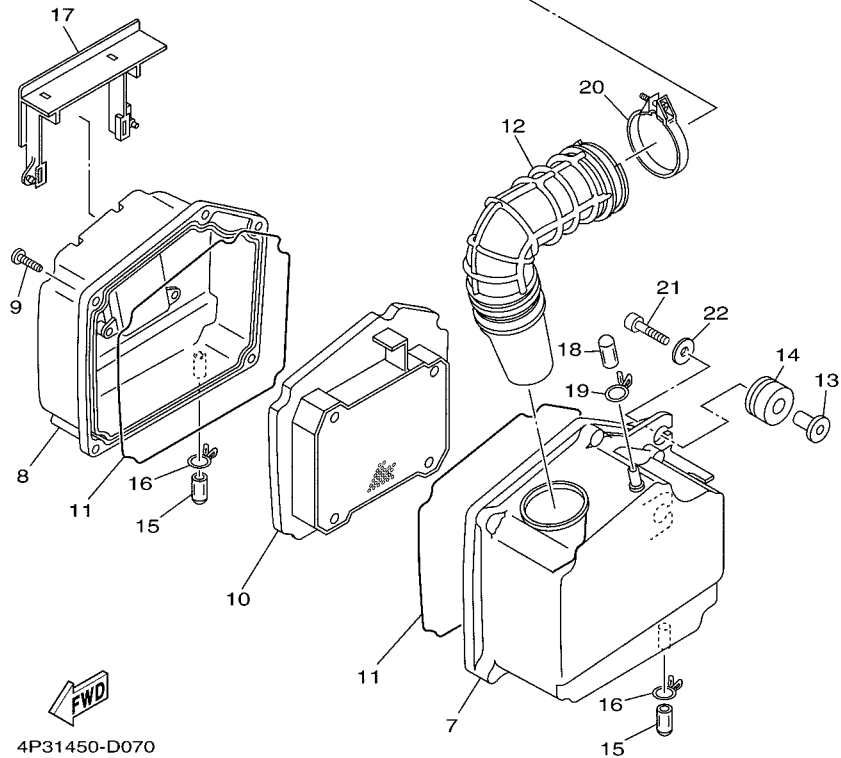
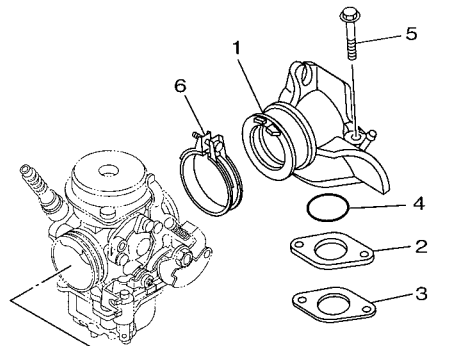


FIG. 7 INTAKE

REF. NO.	PART NO.	DESCRIPTION	SLW7				REMARKS
1	5LW-E3585-00	MANIFOLD	1				
2	5MX-E3595-10	JOINT	1				
3	5LW-E3556-00	GASKET, MANIFOLD	1				
4	93210-25803	O-RING	1				
5	95817-06050	BOLT, FLANGE	2				
6	5MX-E3474-01	BAND	1				
7	5LW-E4411-01	CASE, AIR CLEANER 1	1				
8	5LW-E4412-00	CAP, CLEANER CASE 1	1				
9	9770N-50525	SCREW, TAPPING	5				
10	5LW-E4451-00	ELEMENT, AIR CLEANER	1				
11	5LW-E4452-00	SEAL	2				
12	5LW-E4453-00	JOINT, AIR CLEANER 1	1				
13	5LW-E4449-00	COLLAR	2				
14	5LW-E4435-00	GROMMET	2				
15	5LW-E443E-00	PIPE, DRAIN	2				
16	90467-12800	CLIP	2				
17	5LW-E4417-00	COVER 1	1				
18	5MY-E443B-00	PLUG, BLIND	1				
19	90467-09802	CLIP	1				
20	5MX-E3575-01	BAND	1				
21	91317-06035	BOLT	2				
22	90201-06063	WASHER, PLATE	2				

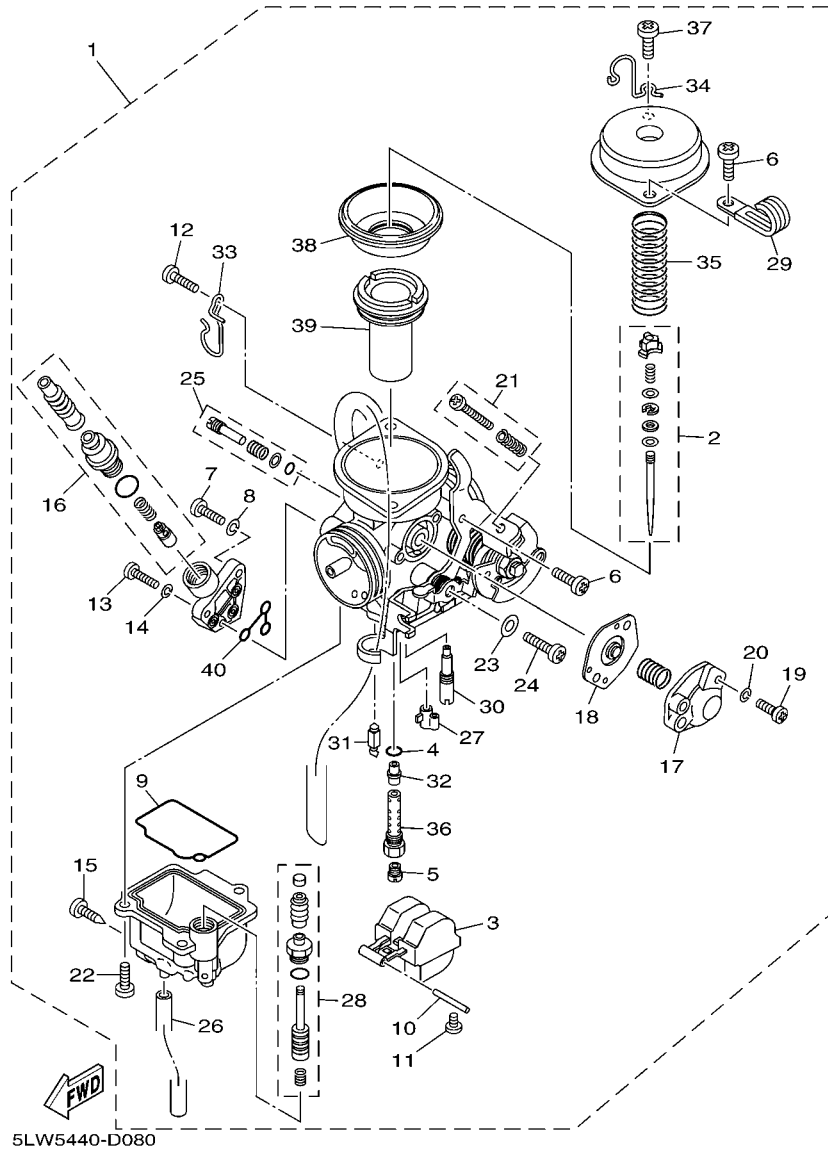
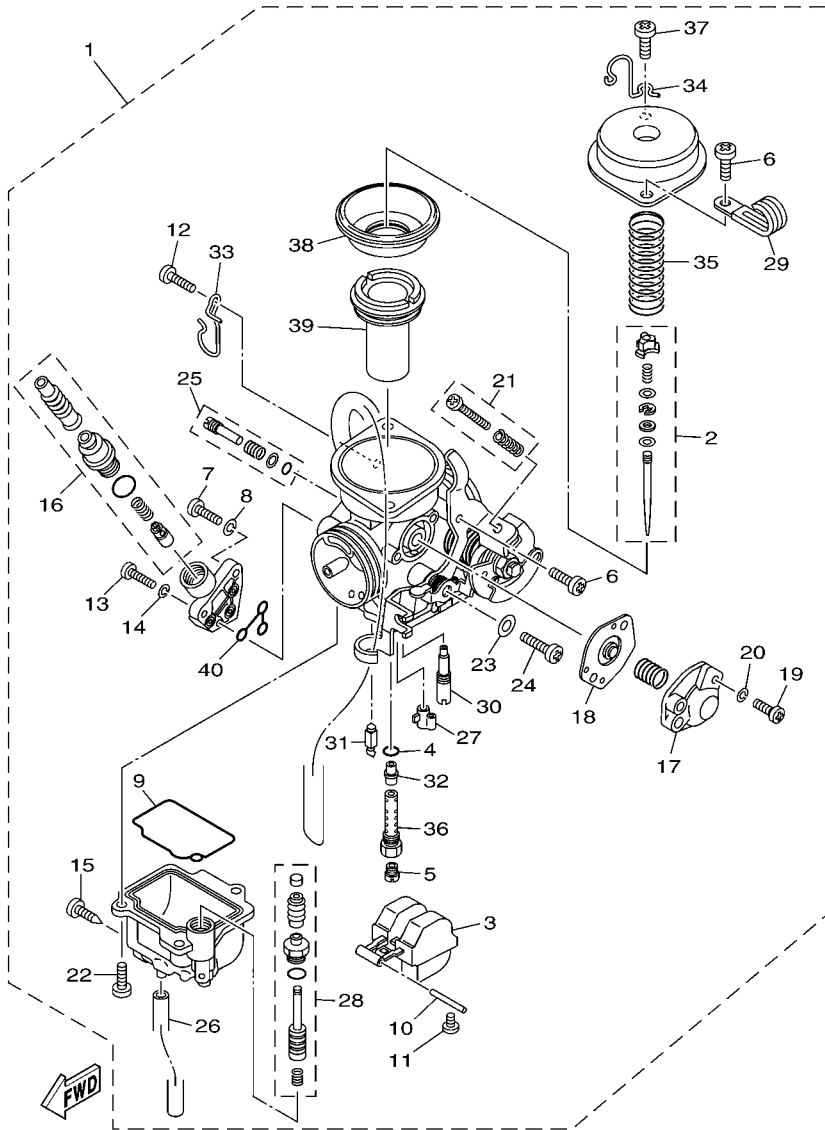


FIG. 8 CARBURETOR

REF. NO.	PART NO.	DESCRIPTION	SLW7				REMARKS
1	5LW-E4901-00	CARBURETOR ASSY 1	1				
2	5LW-1490J-00	.NEEDLE SET	1				
3	5HK-14985-00	.FLOAT	1				
4	583-14561-00	.O-RING	1				
5	3G2-14231-20	.JET, MAIN (#100)	1				
6	98502-05008	.SCREW, PAN HEAD	2				
7	98502-05012	.SCREW, PAN HEAD	2				
8	92902-05100	.WASHER, SPRING	2				
9	5HK-14147-00	.O-RING	1				
10	353-14186-00	.PIN, FLOAT	1				
11	98507-04008	.SCREW, PAN HEAD	1				
12	4SV-24453-00	.SCREW	1				
13	98502-04018	.SCREW, PAN HEAD	1				
14	92902-04100	.WASHER, SPRING	1				
15	12R-14191-00	.PLUG, DRAIN	1				
16	5LW-1410A-00	.STARTER SET	1				
17	5AP-14280-00	.COVER, CARBURETOR	1				
18	5AP-14940-00	.DIAPHRAGM ASSY	1				
19	98502-04014	.SCREW, PAN HEAD	2				
20	92902-04100	.WASHER, SPRING	2				
21	5LW-14103-00	.THROTTLE SCREW SET	1				
22	98502-04010	.SCREW, PAN HEAD	3				
23	22F-14117-00	.WASHER, PLUG SCREW	1				
24	22F-14115-00	.PLUG, SCREW	1				
25	5LW-14105-00	.PILOT SCREW SET	1				
26	5HK-14349-00	.PIPE	1				
27	4JG-14261-00	.HOLDER	1				

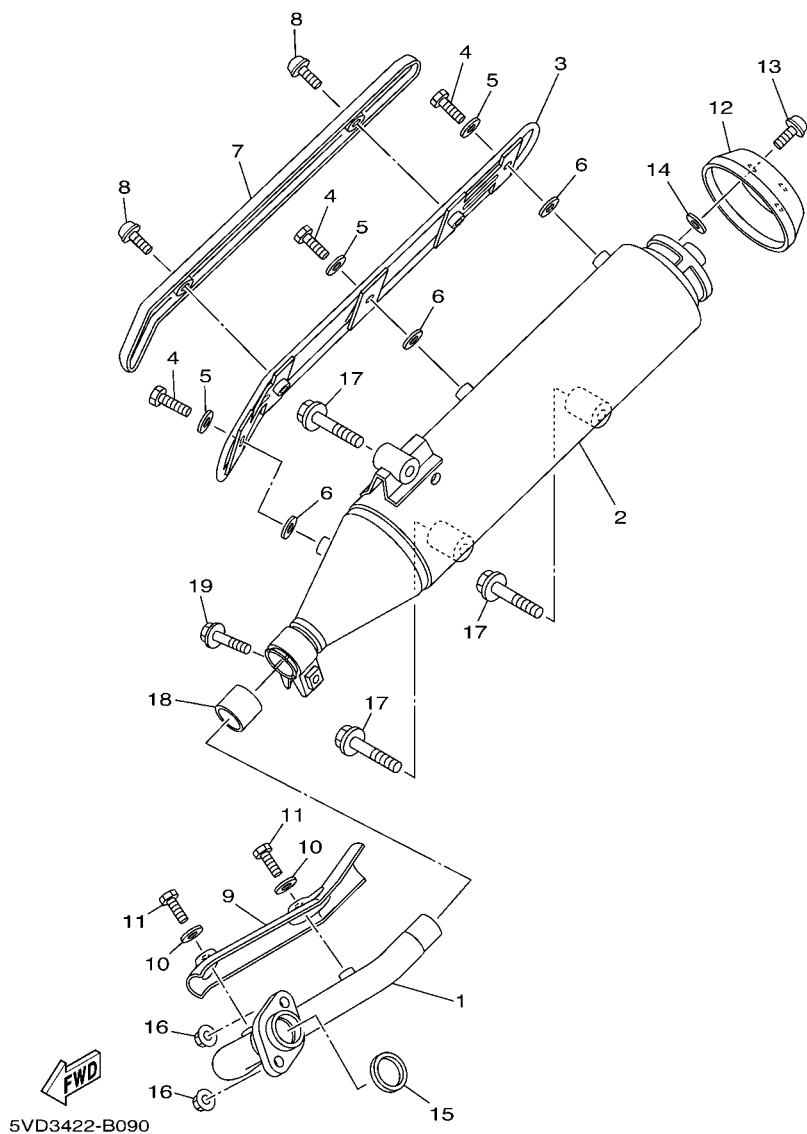


5LW5440-D080

FIG. 8 CARBURETOR

REF. NO.	PART NO.	DESCRIPTION	SLW7					REMARKS
28	5LW-14504-00	.ROD SET	1					
29	3UH-14146-00	.PLATE	1					
30	5LW-14142-17	.JET, PILOT (# 17.5)	1					
31	5LW-14150-00	.NEEDLE ASSY	1					
32	5LW-14141-13	.NOZZLE, MAIN	1					
33	5LW-14919-00	.CLIP	1					
34	5LW-14919-10	.CLIP	1					
35	5LW-14589-00	.SPRING	1					
36	5LW-14261-00	.HOLDER	1					
37	98502-05010	.SCREW, PAN HEAD	1					
38	5LW-24411-00	.DIAPHRAGM	1					
39	5LW-14112-00	.VALVE, THROTTLE 1	1					
40	5LW-14147-00	.O-RING	1					

FIG. 9 EXHAUST



REF. NO.	PART NO.	DESCRIPTION	SLW7				REMARKS
1	5LW-E4610-10	EXHAUST PIPE ASSY 1	1				
2	5MX-E4710-10	MUFFLER ASSY 1	1				
3	5LW-E4718-00	PROTECTOR, MUFFLER 1	1				
4	97027-06010	BOLT	3				
5	92903-06200	WASHER, PLAIN	3				
6	5MX-E4766-00	WASHER, PROTECTOR	3				
7	5LW-E4728-00	PROTECTOR, MUFFLER 2	1				
8	90111-06802	BOLT,HEX. SOCKET BUTTON	2				
9	5LW-E4628-10	PROTECTOR, EXHAUST PIPE	1				
10	92903-06200	WASHER, PLAIN	2				
11	97080-06008	BOLT	2				
12	5LW-E4799-00	CAP	1				
13	90111-06802	BOLT,HEX. SOCKET BUTTON	3				
14	5MX-E4766-00	WASHER, PROTECTOR	3				
15	5LW-E4613-00	GASKET, EXHAUST PIPE	1				
16	95707-08500	NUT, FLANGE	2				
17	95817-10060	BOLT, FLANGE	3				
18	5MX-E4714-00	GASKET, MUFFLER	1				
19	95817-08035	BOLT, FLANGE	1				

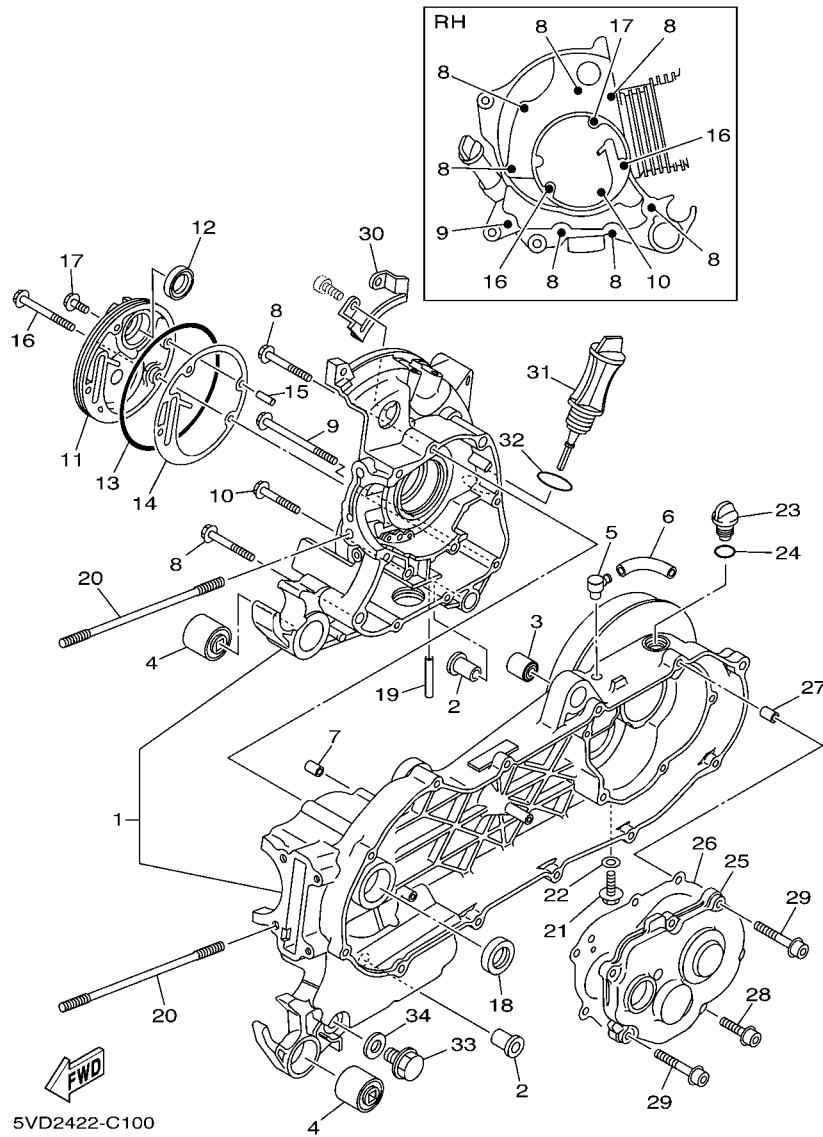


FIG. 10 CRANKCASE

REF. NO.	PART NO.	DESCRIPTION	SLW7				REMARKS
1	5LW-E5150-06	CRANKCASE ASSY	1				
2	5MX-F7121-00	BUSH	2				
3	164-22216-00	BUSH, REAR SHOCK ABSORBER	1				
4	5MX-F2123-00	BUSH 1	2				
5	5LW-E5371-01	BREATHER	1				
6	5LW-E5373-01	PIPE, BREATHER	1				
7	99530-10114	PIN, DOWEL	2				
8	95027-06060	BOLT, FLANGE	7				
9	95027-06100	BOLT, FLANGE	1				
10	95027-06050	BOLT, FLANGE	1				
11	5LW-E5417-00	COVER, CAP	1				
12	93102-19800	OIL SEAL	1				
13	93211-07800	O-RING	1				
14	5LW-E5453-00	GASKET	1				
15	99480-05010	PIN	1				
16	95027-06070	BOLT, FLANGE	2				
17	95027-06016	BOLT, FLANGE	1				
18	93102-22810	OIL SEAL	1				
19	5LW-E3416-00	PIPE, OIL 1	1				
20	5MX-E1391-00	BOLT, STUD 1	4				
21	95817-08016	BOLT, FLANGE	1				
22	90430-08119	GASKET	1				
23	5LW-E5363-00	PLUG, OIL	1				
24	93210-148H8	O-RING	1				
25	5LW-E5421-00	COVER, CRANKCASE 2	1				
26	5LW-E5461-00	GASKET, CRANKCASE COVER 2	1				
27	91810-14001	PIN, DOWEL	2				

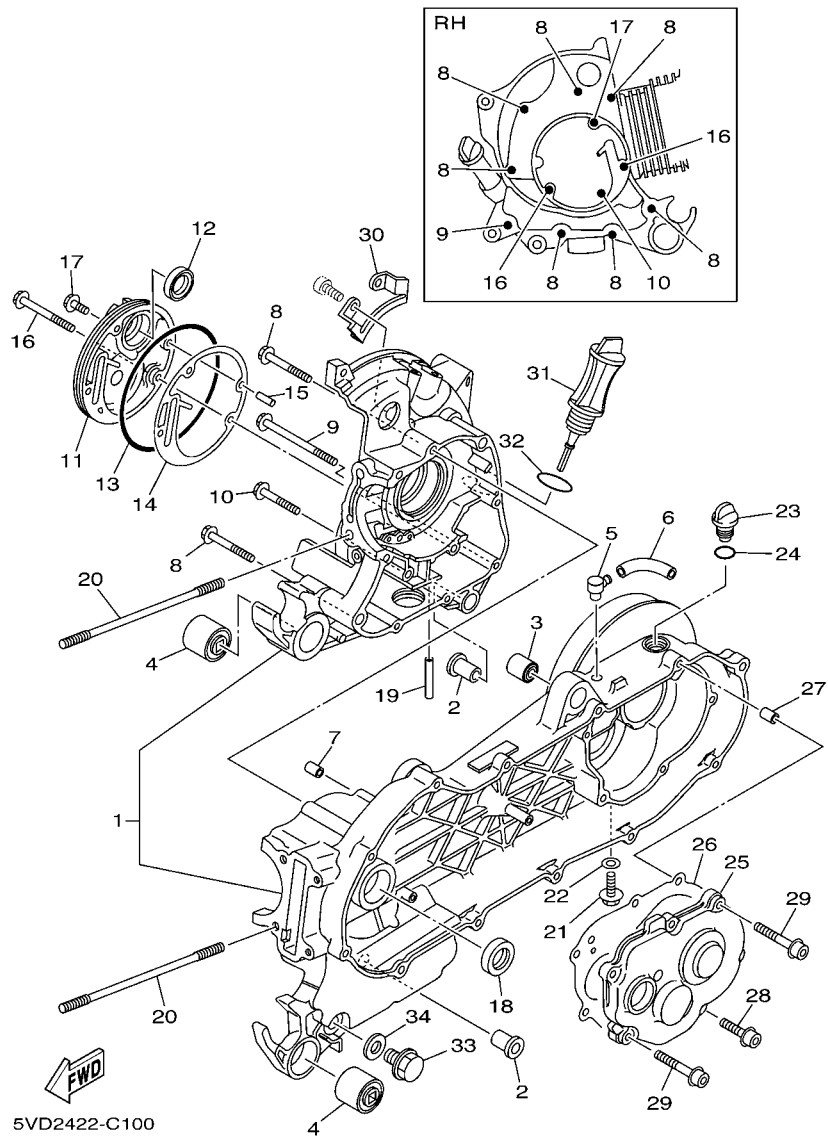


FIG. 10 CRANKCASE

REF. NO.	PART NO.	DESCRIPTION	SLWT				REMARKS
28	90109-067E4	BOLT WITH WASHER	4				
29	90110-06813	BOLT, HEXAGON WITH WASHER	2				
30	5LW-E5113-00	PLATE	1				
31	5LW-E5362-00	PLUG, OIL LEVEL	1				
32	5LW-E3769-00	O-RING	1				
33	90340-12808	PLUG, STRAIGHT SCREW	1				
34	90201-12172	WASHER, PLATE	1				

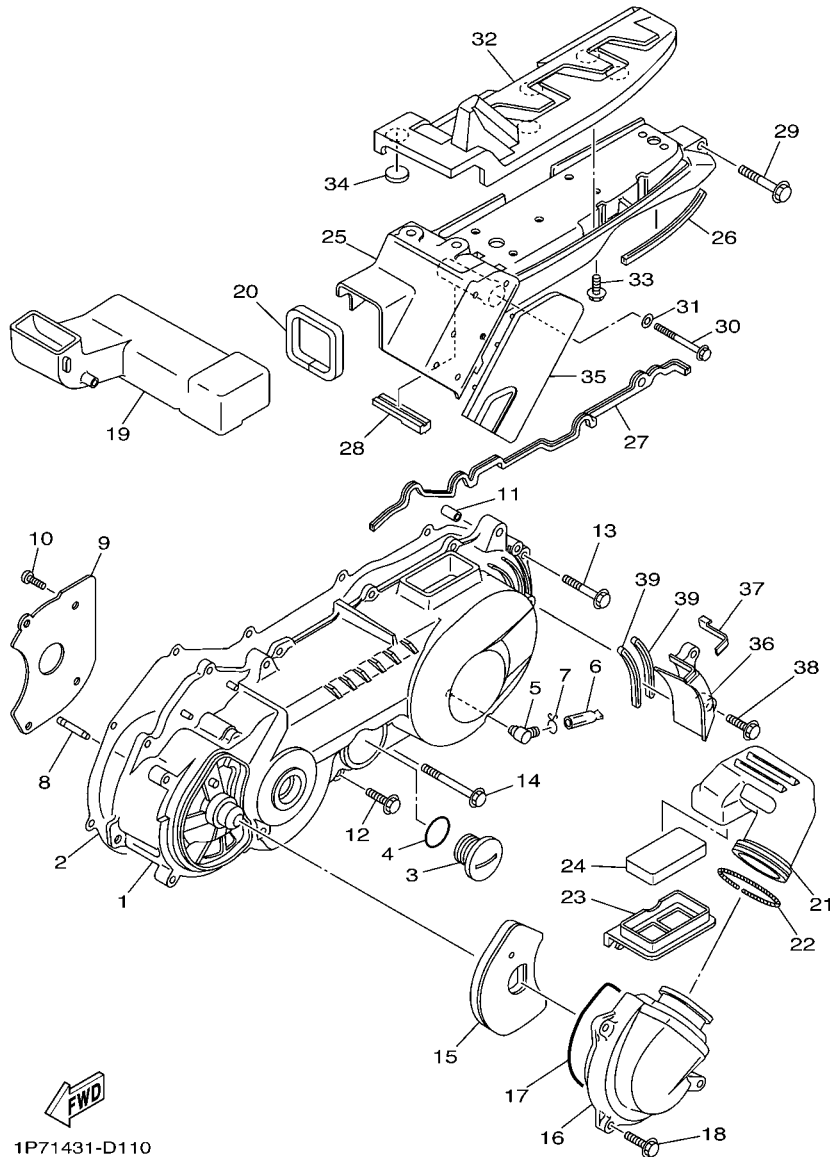


FIG. 11 CRANKCASE COVER 1

REF. NO.	PART NO.	DESCRIPTION	SLW7				REMARKS
1	5LW-E5411-00	COVER, CRANKCASE 1	1				
2	5LW-E5451-00	GASKET, CRANKCASE COVER 1	1				
3	90340-32820	PLUG, STRAIGHT SCREW	1				
4	93210-328G3	O-RING	1				
5	5LW-E5371-01	BREATHER	1				
6	4ST-E443E-00	PIPE, DRAIN	1				
7	90467-11106	CLIP	1				
8	5LW-15659-01	SHAFT	1				
9	5LW-E5191-00	PLATE	1				
10	98907-06010	SCREW, BIND	4				
11	99530-10114	PIN, DOWEL	2				
12	95027-06025	BOLT, FLANGE	10				
13	95027-06035	BOLT, FLANGE	2				
14	95027-06060	BOLT, FLANGE	1				
15	5LW-E5407-01	ELEMENT 1	1				
16	5LW-E5471-00	DUCT, AIR	1				
17	5LW-E5472-00	SEAL, AIR DUCT	1				
18	95027-06020	BOLT, FLANGE	3				
19	5LW-E5473-00	DUCT, AIR	1				
20	5LW-E5335-00	DAMPER 3	1				
21	5LW-E5475-00	DUCT, AIR	1				
22	5LW-15479-00	SPRING	1				
23	5LW-E5404-00	GUIDE, ELEMENT	1				
24	5LW-E5408-00	ELEMENT 2	1				
25	5LW-E5492-00	COVER	1				
26	5LW-E5315-00	SEAL, CRANKCASE	1				
27	5LW-E5379-00	SEAL, CRANKCASE	1				

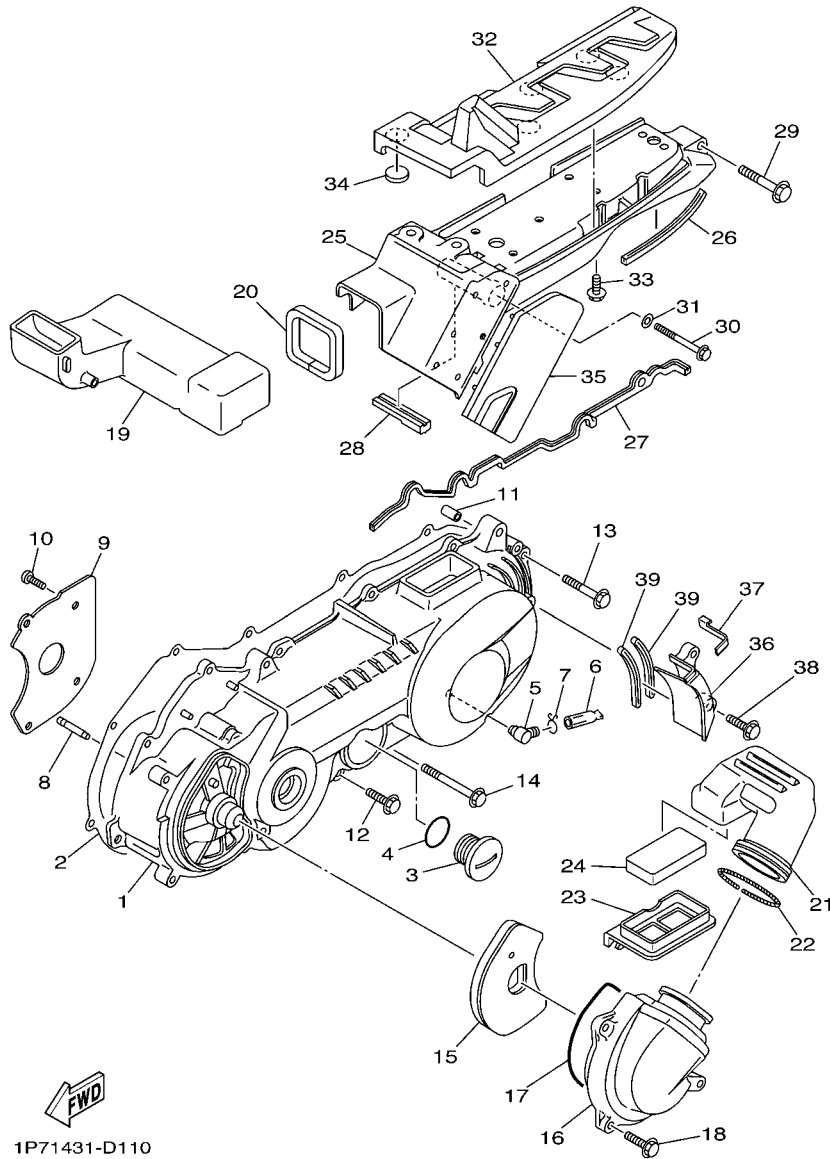
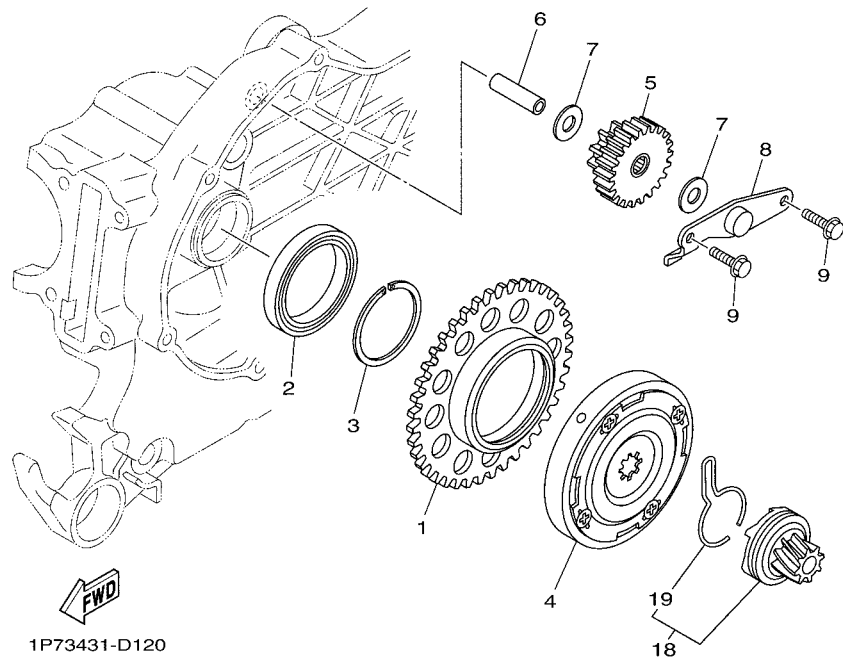
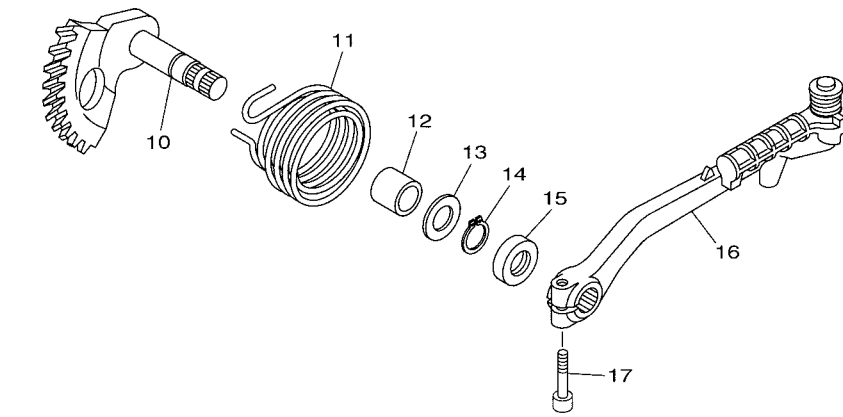


FIG. 11 CRANKCASE COVER 1

REF. NO.	PART NO.	DESCRIPTION	5LW7				REMARKS
28	5LW-E5495-00	SEAL, PROTECTOR 1	1				
29	95027-08040	BOLT, FLANGE	1				
30	95027-08080	BOLT, FLANGE	1				
31	90201-08088	WASHER, PLATE	1				
32	1P7-E5333-00	COVER	1				
33	90119-06054	BOLT, WITH WASHER	4				
34	5LW-E5316-00	DAMPER, ENGINE MOUNT 1	5				
35	5LW-E5491-00	PROTECTOR	1				
36	5LW-E5413-00	COVER	1				
37	5LW-E5326-00	DAMPER, ENGINE MOUNT 2	1				
38	95027-06016	BOLT, FLANGE	2				
39	5LW-E5494-00	SEAL, PROTECTOR	2				



FWD
1P73431-D120

FIG. 12 STARTER

REF. NO.	PART NO.	DESCRIPTION	SLW7				REMARKS
1	5TL-E5524-00	WHEEL, STARTER	1				
2	93306-809Y0	BEARING	1				
3	93440-45827	CIRCLIP	1				
4	5VV-E5570-10	STARTER CLUTCH ASSY	1				
5	5TL-E5650-00	IDLE GEAR ASSY	1				
6	5LW-15521-00	SHAFT 1	1				
7	90201-10018	WASHER, PLATE	2				
8	5LW-E5532-00	PLATE, IDLE GEAR	1				
9	95027-06012	BOLT, FLANGE	2				
10	5MX-E5601-10	KICK SHAFT ASSY	1				
11	90508-32768	SPRING, TORSION	1				
12	90380-15800	BUSH, SOLID	1				
13	90201-154E8	WASHER, PLATE (T=1.0)	1				
14	99009-15400	CIRCLIP	1				
15	93102-15801	OIL SEAL	1				
16	5LW-E5620-00	KICK CRANK ASSY	1				
17	91317-06025	BOLT	1				
18	5MX-E5670-00	KICK PINION ASSY 2	1				
19	5MX-E5673-00	.CLIP	1				

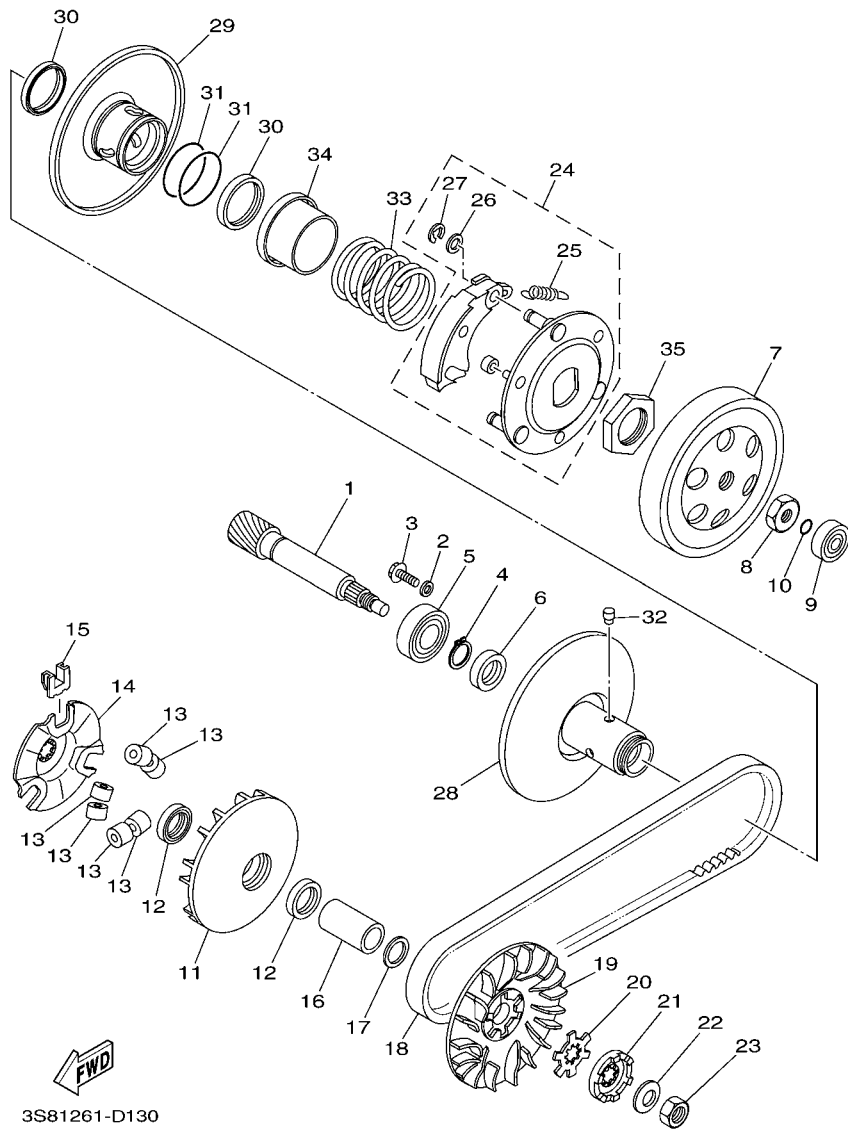
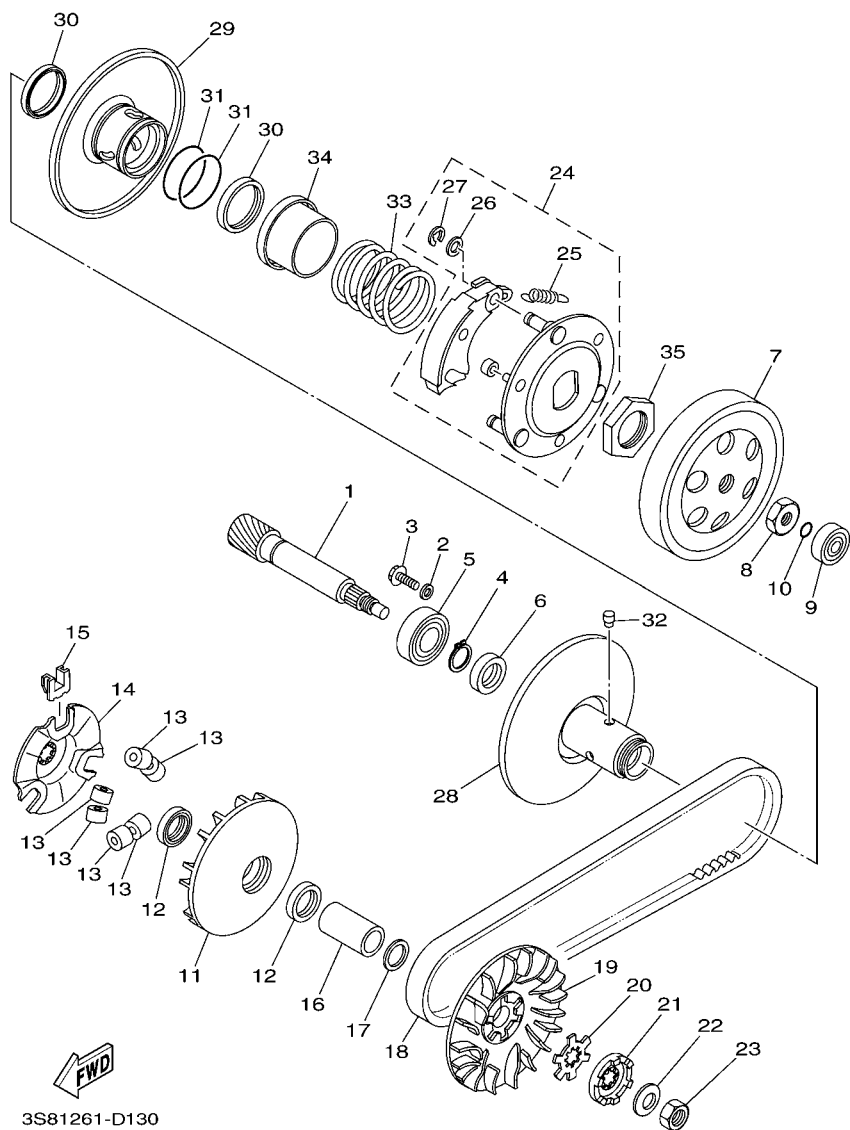


FIG. 13 CLUTCH

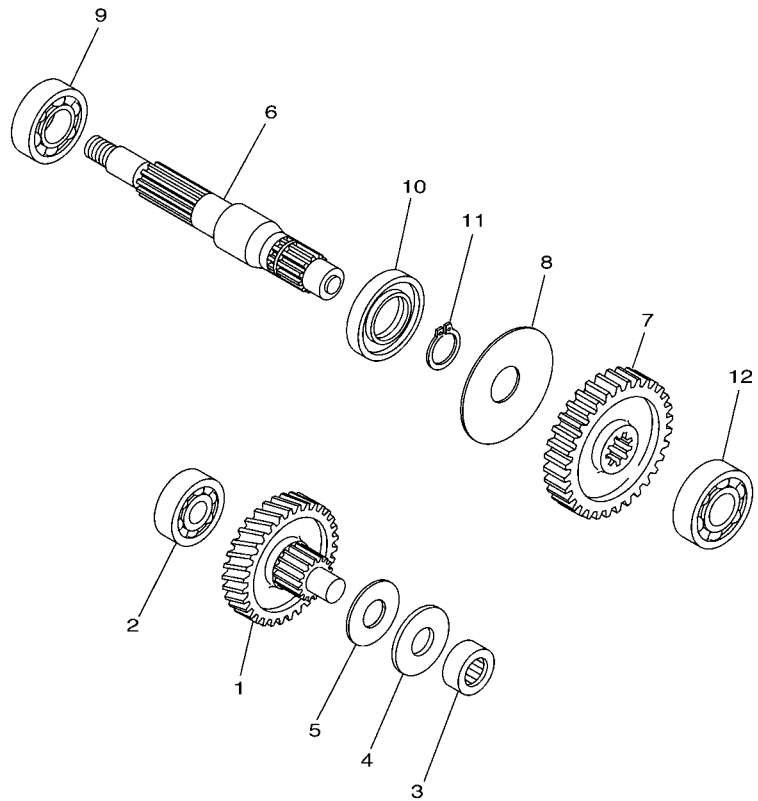
REF. NO.	PART NO.	DESCRIPTION	SLW7				REMARKS
1	5LW-E6111-00	GEAR, PRIMARY DRIVE	1				
2	90201-06060	WASHER, PLATE	1				
3	95027-06010	BOLT, FLANGE	1				
4	99009-17400	CIRCLIP	1				
5	93306-203YU	BEARING	1				
6	93102-17803	OIL SEAL	1				
7	5LW-16611-01	CLUTCH HOUSING COMP.	1				
8	90170-10317	NUT	1				
9	93300-638Y6	BEARING	1				
10	93210-06800	O-RING	1				
11	5LW-E7620-00	PRIMARY SLIDING SHEAVE COMP.	1				
12	93101-21803	OIL SEAL	2				
13	5LW-17632-00	WEIGHT	6				
14	5TL-E7623-00	CAM	1				
15	5LW-17653-00	SLIDER	3				
16	90387-16009	COLLAR	1				
17	90201-16008	WASHER, PLATE	1				
18	5TL-E7641-01	V-BELT	1				
19	5LW-E7611-01	SHEAVE, PRIMARY FIXED	1				
20	90214-14002	WASHER, CLAW	1				
21	5MX-E5657-00	CLUTCH, ONEWAY	1				
22	90208-12050	WASHER, CONICAL SPRING	1				
23	95307-12700	NUT	1				
24	5LW-16620-02	CLUTCH CARRIER ASSY	1				
25	4KN-16626-00	.SPRING, CLUTCH WEIGHT 1	3				
26	3YJ-16523-00	.PLATE, WEIGHT THRUST	3				
27	99001-06600	.CIRCLIP	3				



3S81261-D130

FIG. 13 CLUTCH

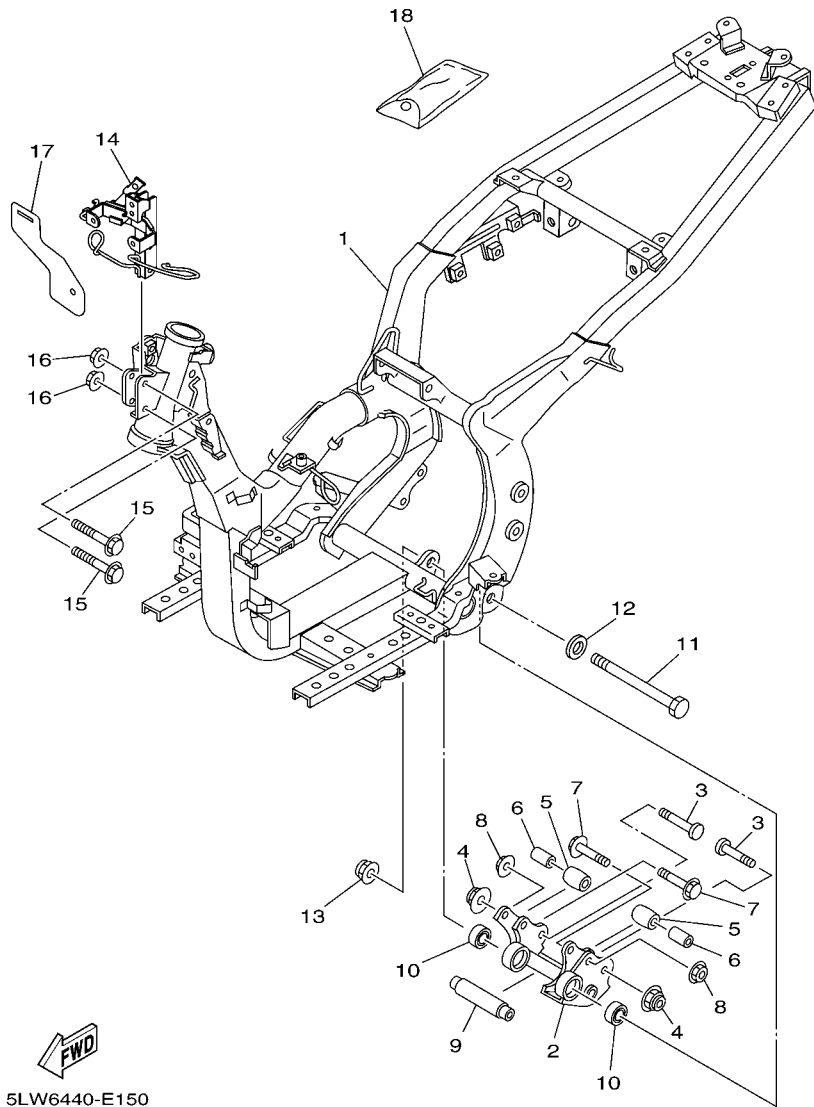
REF. NO.	PART NO.	DESCRIPTION	5LW7				REMARKS
28	5LW-17660-00	SECONDARY FIXED SHEAVE COMP.	1				
29	5LW-17670-00	SECONDARY SLIDING SHEAVE	1				
30	93104-33003	OIL SEAL	2				
31	93210-384A6	O-RING	2				
32	24G-17664-00	PIN, GUIDE	3				
33	90501-43002	SPRING, COMPRESSION	1				
34	3XG-17684-00	SEAT, SECONDARY SPRING	1				
35	90179-28415	NUT	1				



1P71431-D140

FIG. 14 TRANSMISSION

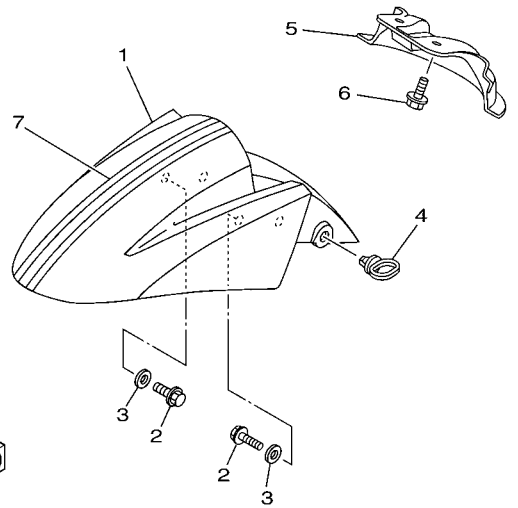
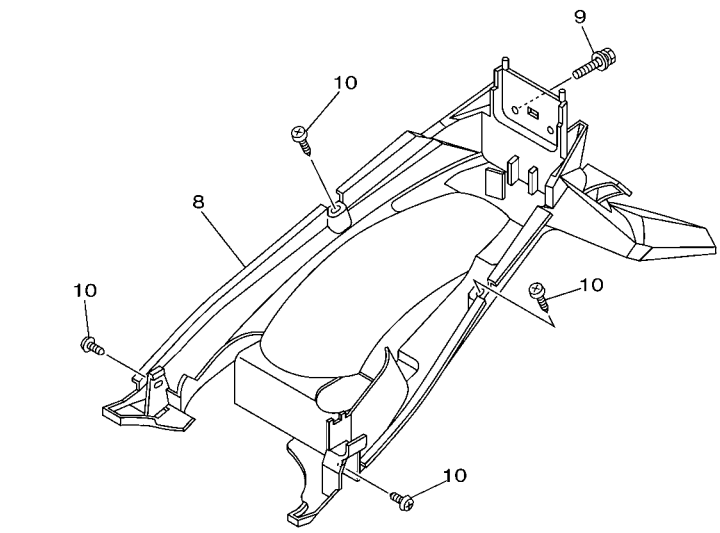
REF. NO.	PART NO.	DESCRIPTION	SLWT				REMARKS
1	2D5-E7410-00	MAIN AXLE COMP. (47T)	1				
2	93306-301YS	BEARING	1				
3	93311-315Y6	BEARING	1				
4	90201-15008	WASHER, PLATE	1				
5	90201-15016	WASHER, PLATE	1				
6	5MX-E7421-10	AXLE, DRIVE	1				
7	5MX-E7211-10	GEAR, 1ST WHEEL (43T)	1				
8	90208-21002	WASHER, CONICAL SPRING	1				
9	93306-004XD	BEARING	1				
10	93102-26800	OIL SEAL	1				
11	93410-20070	CIRCLIP	1				
12	93306-203YU	BEARING	1				



5LW6440-E150

FIG. 15 FRAME

REF. NO.	PART NO.	DESCRIPTION	5LW7				REMARKS
1	5LW-F1110-10	FRAME COMP.	1				
2	5LW-F1410-00	ENGINE BRACKET COMP.	1				
3	5G3-21481-00	BOLT, ENGINE MOUNTING 1	2				
4	95607-10200	NUT, U FLANGE	2				
5	5LW-F7114-00	STOPPER, MAIN STAND	2				
6	90387-08754	COLLAR	2				
7	90105-08048	BOLT, FLANGE	2				
8	95607-08200	NUT, SELF-LOCKING	2				
9	5LW-F1459-00	SPACER	1				
10	93306-00319	BEARING	2				
11	5MX-F5181-00	AXLE, WHEEL	1				
12	90201-12688	WASHER, PLATE	1				
13	95607-12200	NUT, SELF-LOCKING	1				
14	2D5-F8356-00	STAY 1	1				
15	95817-08035	BOLT, FLANGE	2				
16	95707-08500	NUT, FLANGE	2				
17	1P7-F117M-00	COVER 2	1				
18	5LW-F8100-10	TOOL KIT	1				



FWD
5LW7440-F160

FIG. 16 FENDER

REF. NO.	PART NO.	DESCRIPTION	5LW7				REMARKS
1	5LW-F1511-10-P3	FENDER, FRONT	1				UR FOR DRMK
	5LW-F1511-10-P2	FENDER, FRONT	1				UR FOR SMX,BWC1
2	95807-06010	BOLT, FLANGE	4				
3	90201-06072	WASHER, PLATE	4				
4	15K-F1518-00	HOLDER, CABLE	1				
5	5LW-F1553-00	FENDER, INNER 2	1				
6	90119-06018	BOLT, WITH WASHER	2				
7	5LW-F1569-00	GRAPHIC 1	1				UR FOR DRMK
	5LW-F1569-10	GRAPHIC 1	1				UR FOR SMX
	5LW-F1569-20	GRAPHIC 1	1				UR FOR BWC1
8	1P7-F1611-00	FENDER, REAR	1				
9	90119-06044	BOLT, WITH WASHER	2				
10	97707-50014	SCREW, TRUSS HEAD TAPPING	4				

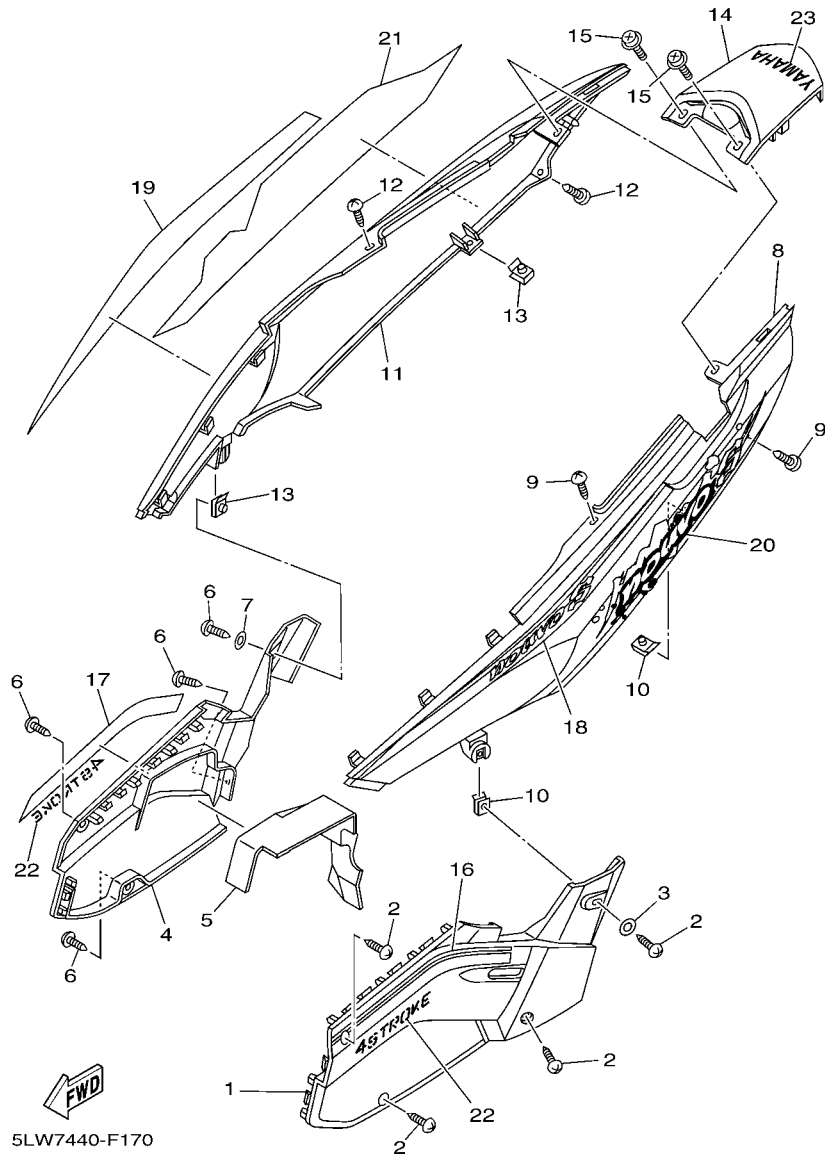


FIG. 17 SIDE COVER

REF. NO.	PART NO.	DESCRIPTION	SLW7				REMARKS
1	5LW-F1711-10-P2	COVER, SIDE 1	1				SMX
2	97707-50014	SCREW, TRUSS HEAD TAPPING	4				
3	90201-06557	WASHER, PLATE	1				
4	5LW-F1721-10-P2	COVER, SIDE 2	1				SMX
5	1P7-F176E-10	PLATE	1				
6	97707-50014	SCREW, TRUSS HEAD TAPPING	4				
7	90201-06557	WASHER, PLATE	1				
8	5LW-F1731-10-P3	COVER, SIDE 3	1				UR FOR DRMK
	5LW-F1731-10-P2	COVER, SIDE 3	1				UR FOR SMX
	5LW-F1731-10-P4	COVER, SIDE 3	1				UR FOR BWC1
9	97707-50014	SCREW, TRUSS HEAD TAPPING	2				
10	90183-05042	NUT, SPRING	2				
11	5LW-F1741-10-P3	COVER, SIDE 4	1				UR FOR DRMK
	5LW-F1741-10-P2	COVER, SIDE 4	1				UR FOR SMX
	5LW-F1741-10-P4	COVER, SIDE 4	1				UR FOR BWC1
12	97707-50014	SCREW, TRUSS HEAD TAPPING	2				
13	90183-05042	NUT, SPRING	2				
14	5LW-F171E-10-P3	COVER, SIDE 5	1				UR FOR DRMK
	5LW-F171E-10-P2	COVER, SIDE 5	1				UR FOR SMX
	5LW-F171E-10-P4	COVER, SIDE 5	1				UR FOR BWC1
15	90159-06067	SCREW, WITH WASHER	2				
16	5LW-F173E-90	GRAPHIC 1	1				UR FOR DRMK
	5LW-F173E-A0	GRAPHIC 1	1				UR FOR SMX
	5LW-F173E-B0	GRAPHIC 1	1				UR FOR BWC1
17	5LW-F173F-90	GRAPHIC 2	1				UR FOR DRMK
	5LW-F173F-A0	GRAPHIC 2	1				UR FOR SMX
	5LW-F173F-B0	GRAPHIC 2	1				UR FOR BWC1

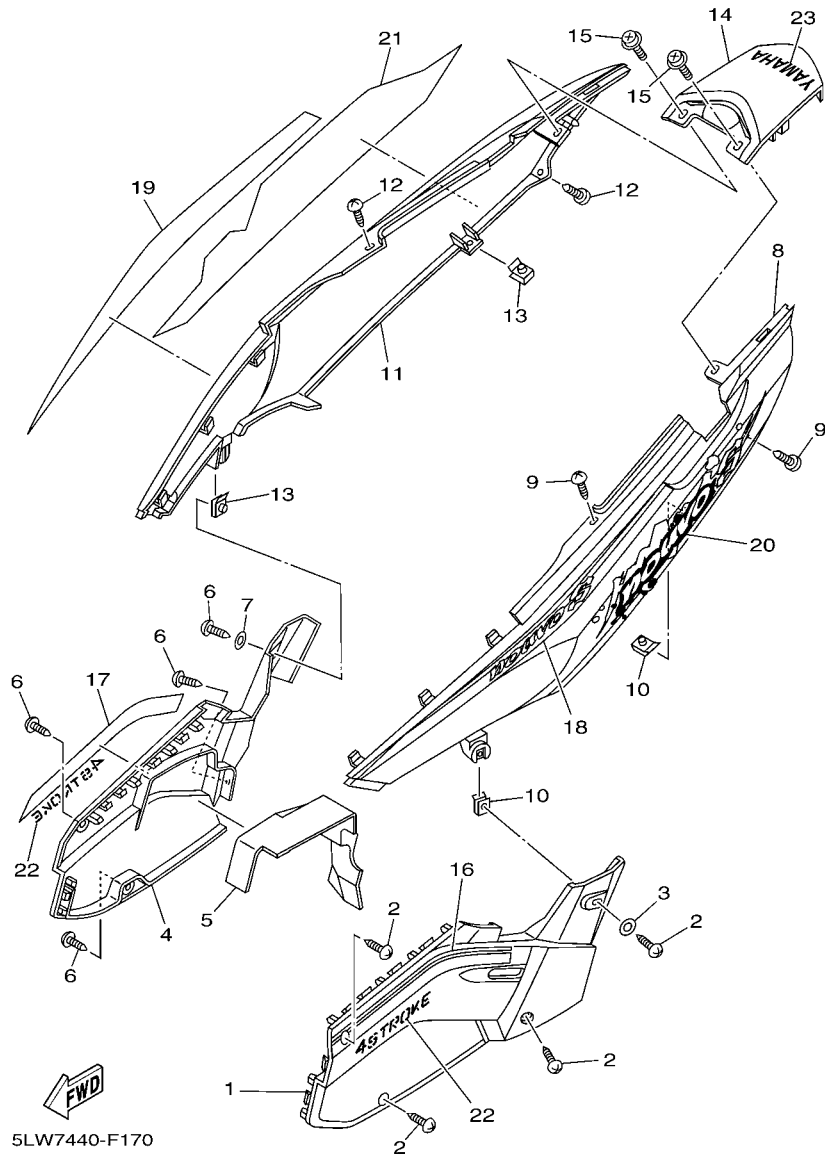
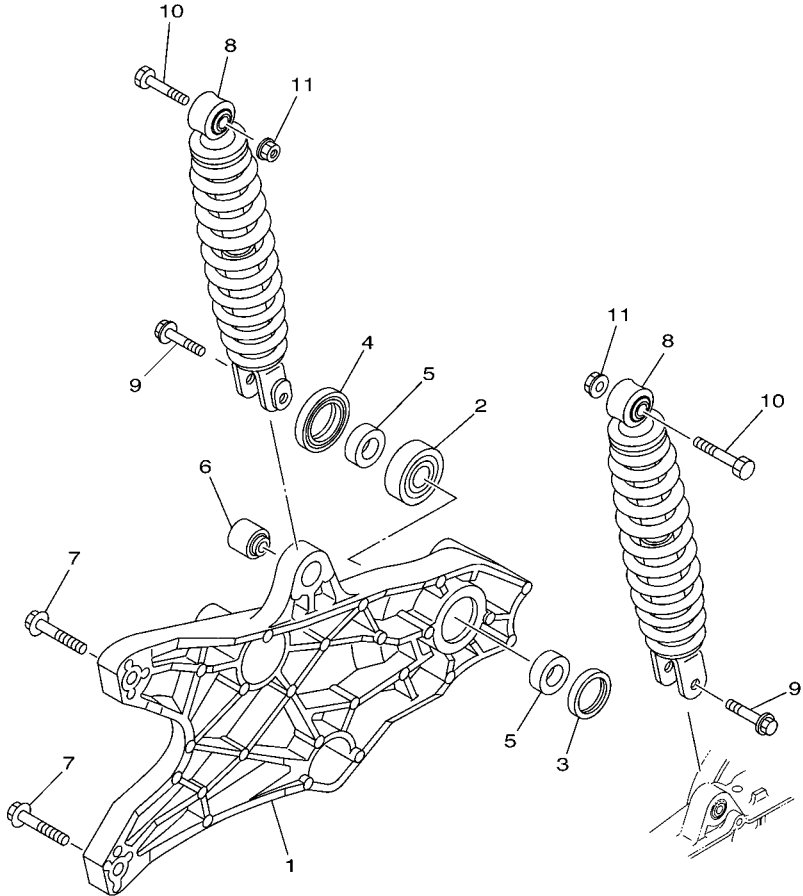


FIG. 17 SIDE COVER

REF. NO.	PART NO.	DESCRIPTION	SLW7				REMARKS
18	5LW-F174G-60	GRAPHIC 3	1				UR FOR DRMK
	5LW-F174G-70	GRAPHIC 3	1				UR FOR SMX
	5LW-F174G-80	GRAPHIC 3	1				UR FOR BWC1
19	5LW-F174H-60	GRAPHIC 4	1				UR FOR DRMK
	5LW-F174H-70	GRAPHIC 4	1				UR FOR SMX
	5LW-F174H-80	GRAPHIC 4	1				UR FOR BWC1
20	5LW-F174J-60	GRAPHIC 5	1				UR FOR DRMK
	5LW-F174J-70	GRAPHIC 5	1				UR FOR SMX
	5LW-F174J-80	GRAPHIC 5	1				UR FOR BWC1
21	5LW-F174K-60	GRAPHIC 6	1				UR FOR DRMK
	5LW-F174K-70	GRAPHIC 6	1				UR FOR SMX
	5LW-F174K-80	GRAPHIC 6	1				UR FOR BWC1
22	5LW-F1781-60	EMBLEM 1	2				UR FOR DRMK
	5LW-F1781-70	EMBLEM 1	2				UR FOR SMX
	5LW-F1781-80	EMBLEM 1	2				UR FOR BWC1
23	99234-00080	EMBLEM, YAMAHA	1				UR FOR DRMK, BWC1
	99236-00080	EMBLEM, YAMAHA	1				UR FOR SMX

FIG. 18 REAR ARM & SUSPENSION



REF. NO.	PART NO.	DESCRIPTION	SLW7				REMARKS
1	5LW-F2171-30	ARM, REAR 1	1				
2	93306-302X4	BEARING	1				
3	93106-28801	OIL SEAL	1				
4	93106-28800	OIL SEAL	1				
5	90387-15805	COLLAR	2				
6	164-22216-00	BUSH, REAR SHOCK ABSORBER	1				
7	95817-08040	BOLT, FLANGE	2				
8	5LW-F2210-01	SHOCK ABSORBER ASSY, REAR	2				
9	90105-08121	BOLT, FLANGE	2				
10	90101-10776	BOLT	2				
11	95707-10500	NUT, FLANGE	2				


5VD3422-B180

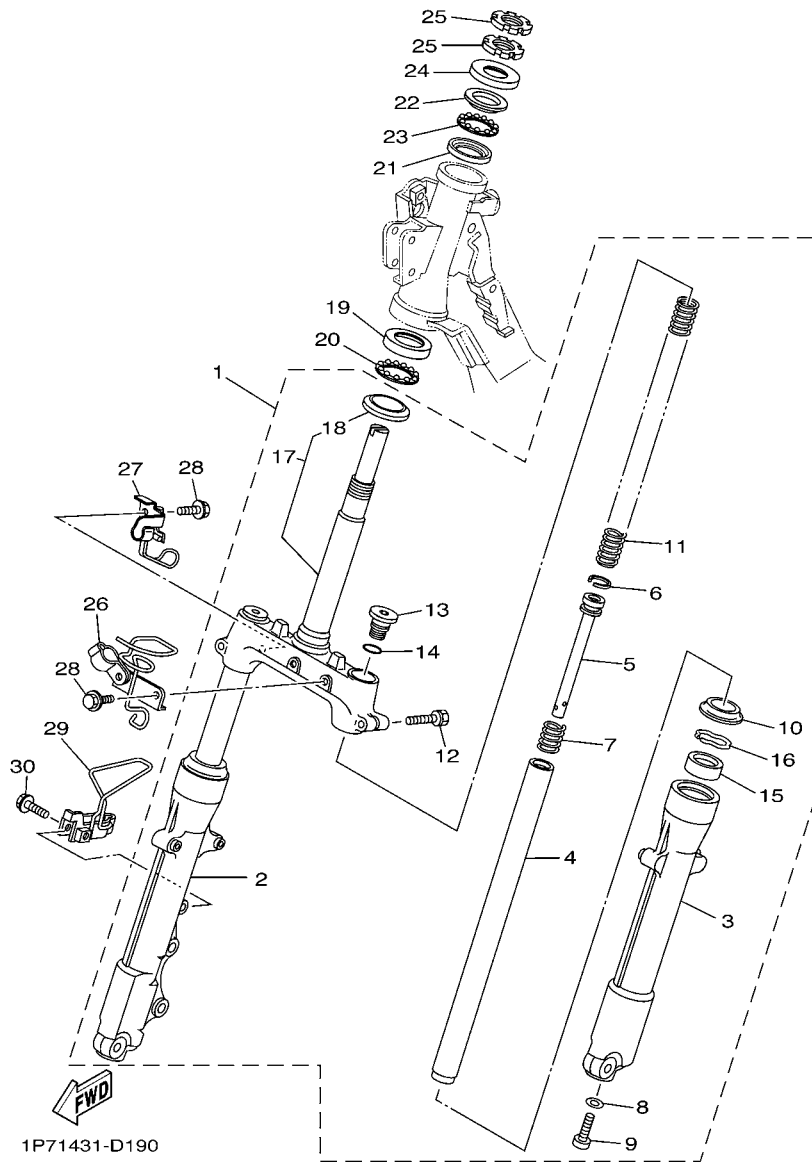


FIG. 19 STEERING

REF. NO.	PART NO.	DESCRIPTION	SLW7				REMARKS
1	5LW-F3100-00	FRONT FORK ASSY	1				
2	5LW-F3136-00	.TUBE, OUTER (RIGHT)	1				
3	5LW-F3126-00	.TUBE, OUTER (LEFT)	1				
4	5LW-F3110-00	.INNER TUBE COMP.1	2				
5	5LW-F3170-00	.CYLINDER COMP., FRONT FORK	2				
6	2JG-F3157-00	.RING, PISTON	2				
7	5LL-F3152-00	.SPRING, SUB	2				
8	509-F3158-L0	.GASKET	2				
9	278-F3181-50	.BOLT, HEXAGON SOCKET HEAD	2				
10	5LL-F3144-00	.SEAL, DUST	2				
11	5LW-F3141-00	.SPRING, FRONT FORK	2				
12	5LL-F3346-00	.BOLT 1	2				
13	5LL-F3111-00	.BOLT, CAP	2				
14	2JG-F3147-00	.O-RING	2				
15	4UV-F3145-00	.OIL SEAL	2				
16	1T8-F3156-00	.CLIP, OIL SEAL	2				
17	5LW-F3340-00	.UNDER BRACKET COMP.	1				
18	156-23411-00	..RACE, BALL 1	1				
19	156-23412-00	RACE, BALL 2	1				
20	156-2341E-00	RETAINER, BALL BEARING	1				
21	22F-23412-01	RACE, BALL 2	1				
22	22F-23411-01	RACE, BALL 1	1				
23	22F-2341E-00	RETAINER, BALL BEARING	1				
24	3VP-23416-00	COVER, BALL RACE 2	1				
25	90179-25802	NUT	2				
26	1P7-F5875-00	HOLDER, BRAKE HOSE 1	1				
27	1P7-F5876-00	HOLDER, BRAKE HOSE 2	1				

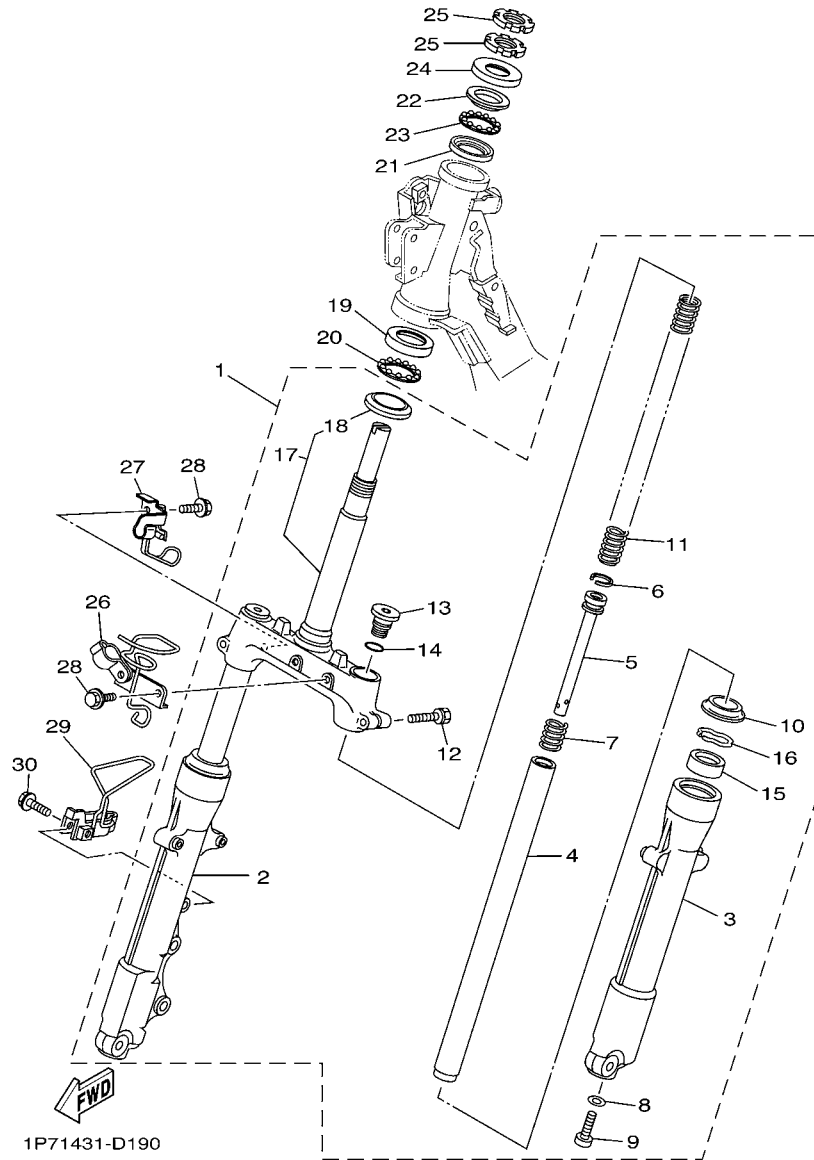
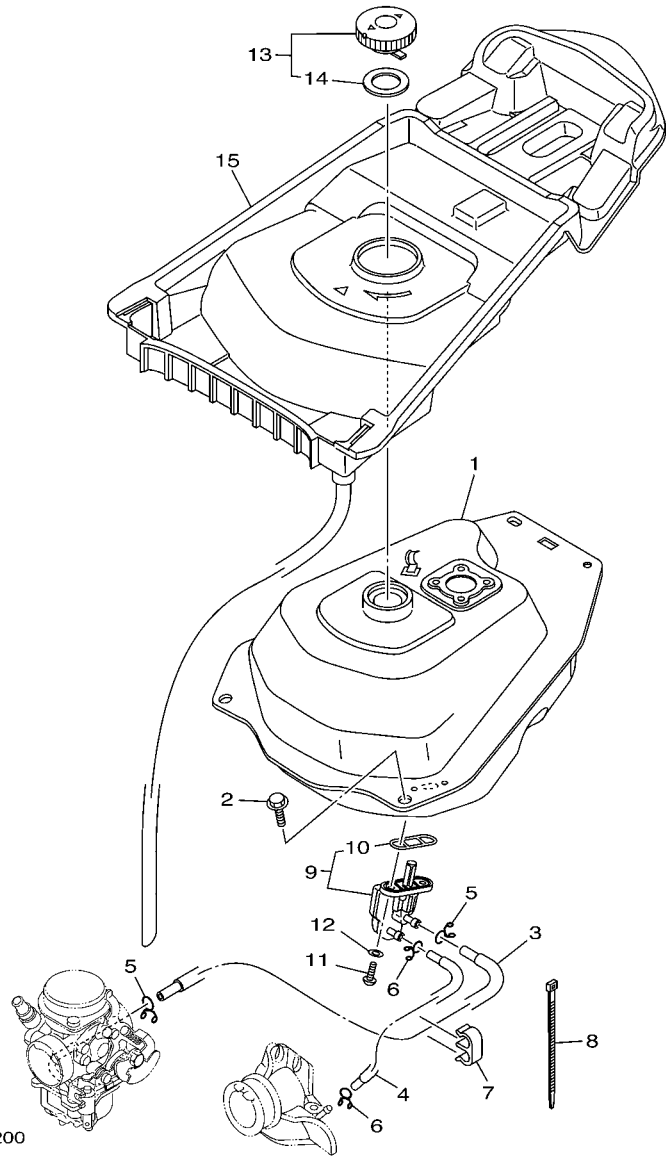


FIG. 19 STEERING

REF. NO.	PART NO.	DESCRIPTION	SLWT				REMARKS
28	90105-06069	BOLT, FLANGE	3				
29	1P7-F5886-00	HOLDER, BRAKE HOSE	1				
30	95807-06025	BOLT, FLANGE	1				



5MX6460-D200

FIG. 20 FUEL TANK

REF. NO.	PART NO.	DESCRIPTION	5LW7				REMARKS
1	5LW-F4110-10	FUEL TANK COMP.	1				
2	95807-06012	BOLT, FLANGE	4				
3	1P7-F4311-00	PIPE, FUEL 1	1				
4	5LW-F4312-00	PIPE 2	1				
5	90467-09006	CLIP	2				
6	90467-08075	CLIP	2				
7	90464-12238	CLAMP	1				
8	3AY-H3936-10	BAND, SWITCH CORD	1				
9	4TT-F4500-00	FUEL COCK ASSY 1	1				
10	4X8-24512-00	.O-RING	1				
11	90149-06011	SCREW	2				
12	90202-05193	WASHER, PLATE	2				
13	5LW-F4610-00	CAP ASSY	1				
14	5LW-F4612-00	.GASKET, CAP	1				
15	1P7-F414A-00	COVER, FILLER	1				

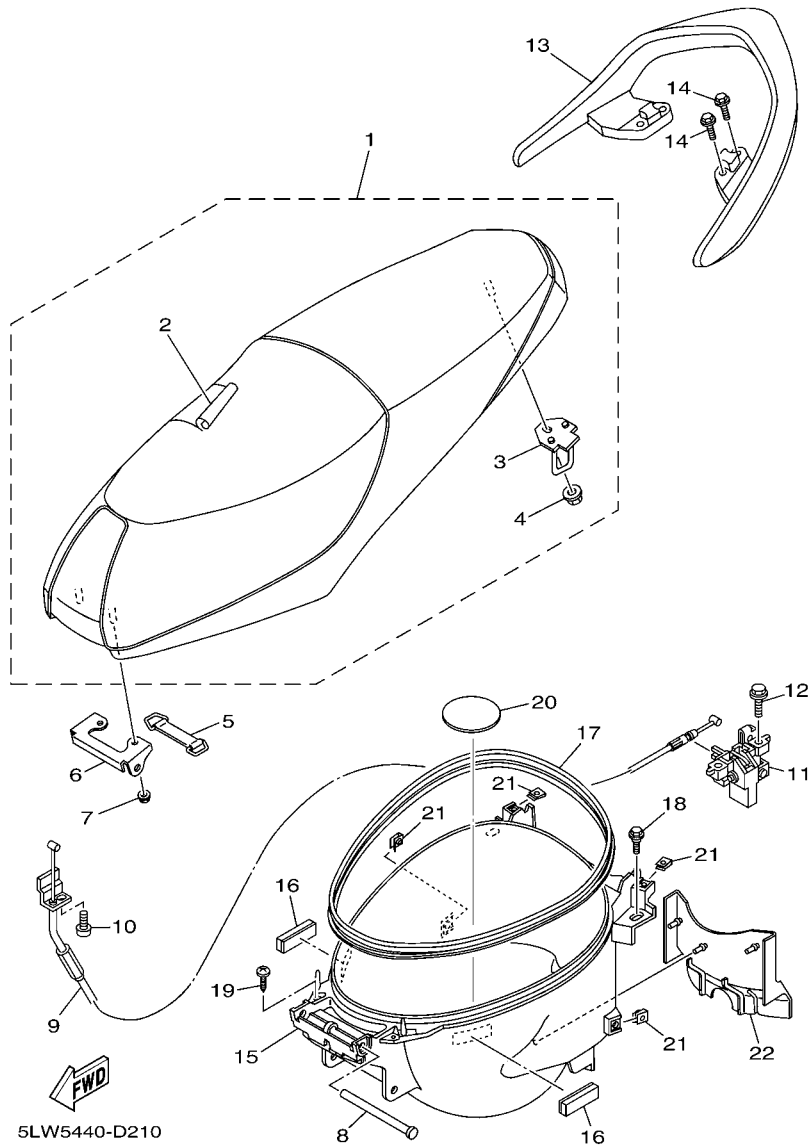
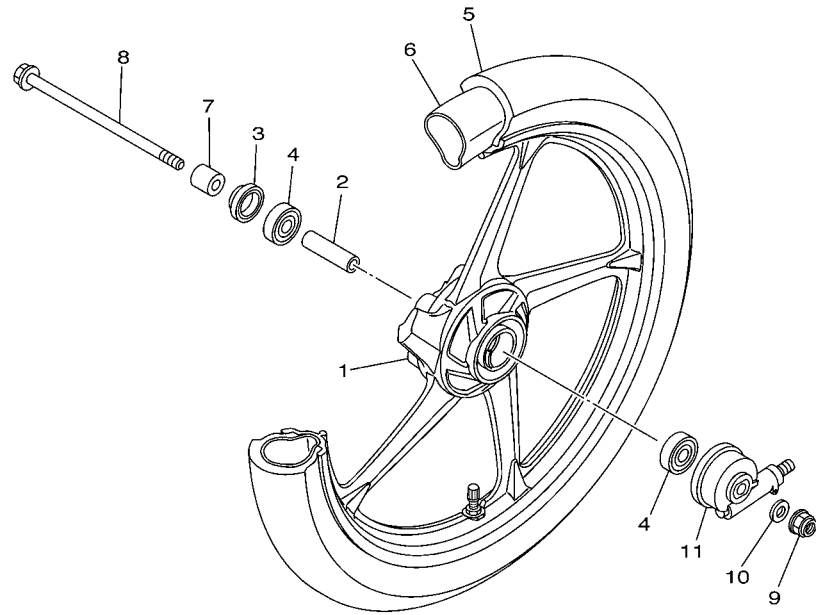


FIG. 21 SEAT

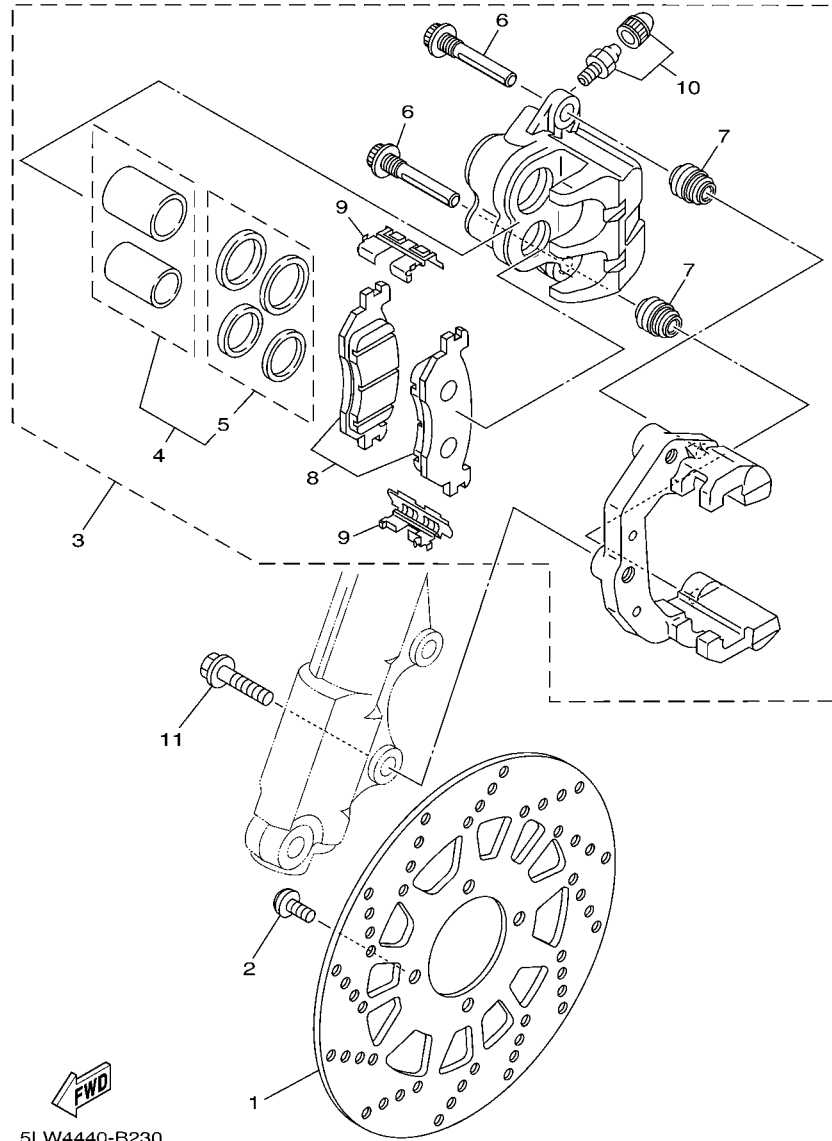
REF. NO.	PART NO.	DESCRIPTION	5LW7				REMARKS
1	1P7-F4730-01	DOUBLE SEAT ASSY	1				
2	1P7-F470F-00	.SEAT COVER COMP.	1				
3	1P7-F4728-00	.BRACKET, SEAT	1				
4	95707-06500	.NUT, FLANGE	1				
5	2JG-H2131-00	BAND, BATTERY	1				
6	5LW-F4726-00	HINGE, SEAT	1				
7	95707-06500	NUT, FLANGE	2				
8	90241-10015	PIN	1				
9	5LW-F478E-10	CABLE, SEAT LOCK	1				
10	98507-05010	SCREW, PAN HEAD	1				
11	5LW-24780-00	SEAT LOCK ASSY	1				
12	95807-06016	BOLT, FLANGE	2				
13	5LW-F4773-10	HANDLE, SEAT	1				
14	95827-06020	BOLT, FLANGE	4				
15	5LW-F473R-10	BOX 1	1				
16	5LW-F4723-00	DAMPER, SEAT	2				
17	5MY-F475M-00	SEAL	1				
18	90109-063F1	BOLT	4				
19	97707-50014	SCREW, TRUSS HEAD TAPPING	2				
20	5LW-F4747-00	DAMPER, SEAT	1				
21	90183-05042	NUT, SPRING	4				
22	5LW-F1691-00	FLAP	1				

FIG. 22 FRONT WHEEL



REF. NO.	PART NO.	DESCRIPTION	SLW7				REMARKS
1	5LW-F5168-00-33	CAST WHEEL, FRONT	1				YB
2	90560-10292	SPACER	1				
3	93106-20816	OIL SEAL	1				
4	93306-300X8	BEARING	2				
5	94107-16800	TIRE (70/90-16M/C 36P NF59)	1				INOUE
6	94207-16800	TUBE (70/90-16 TR4)	1				INOUE
7	90387-10277	COLLAR	1				
8	3AY-F5181-01	AXLE, WHEEL	1				
9	90185-10091	NUT, SELF-LOCKING	1				
10	90201-101J1	WASHER, PLATE	1				
11	5LW-25190-00	GEAR UNIT ASSY	1				

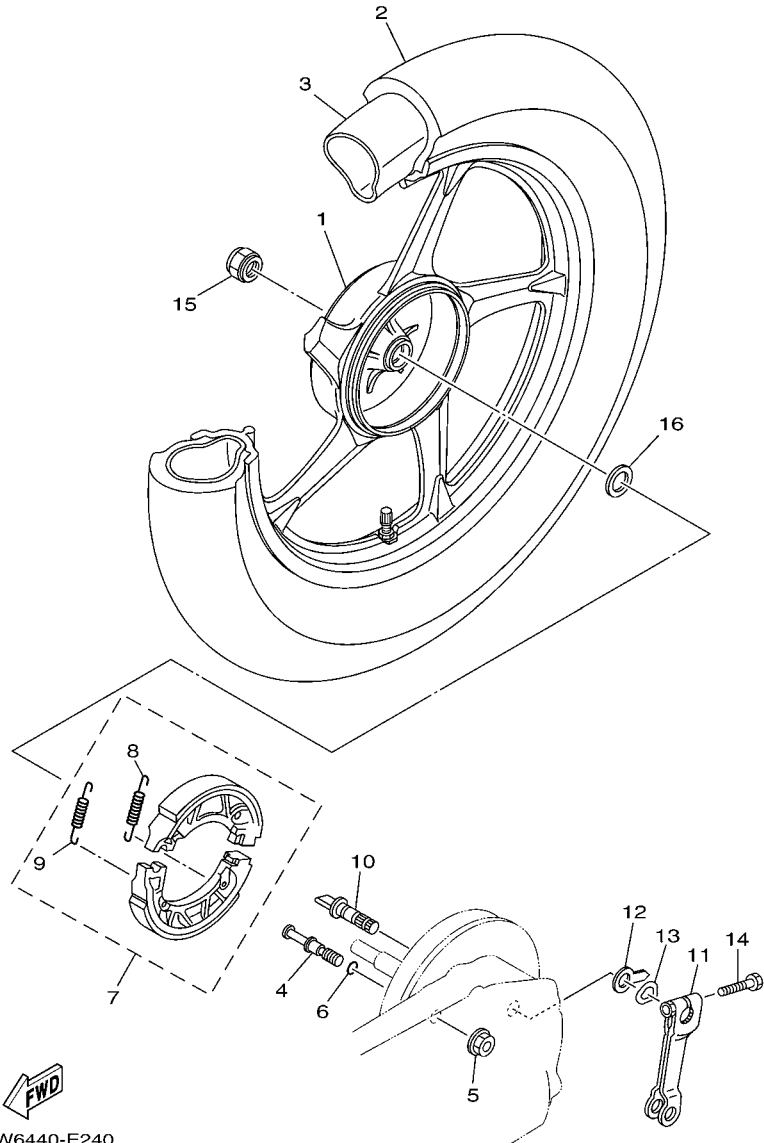

1P71431-D230



5LW4440-B230

FIG. 23 FRONT BRAKE CALIPER

REF. NO.	PART NO.	DESCRIPTION	5LW7				REMARKS
1	5TN-F582U-00	DISK, BRAKE (RIGHT)	1				
2	90109-084F7	BOLT	4				
3	4US-F580U-00	CALIPER ASSY (RIGHT)	1				
4	4TT-W0057-00	.PISTON ASSY, CALIPER	1				
5	4ES-W0047-10	..CALIPER SEAL KIT	1				
6	5JW-25914-00	.PIN, SLIDE	2				
7	4TT-25937-00	.BOOT 2	2				
8	4US-W0045-00	.BRAKE PAD KIT	1				
9	4TT-25919-00	.SUPPORT, PAD	2				
10	51L-W0048-00	.BLEED SCREW KIT	1				
11	90105-10638	BOLT, FLANGE	2				



5LW6440-E240

FIG. 24 REAR WHEEL

REF. NO.	PART NO.	DESCRIPTION	SLW7				REMARKS
1	5LW-F5338-00-33	CAST WHEEL, REAR	1				YB
2	94108-16800	TIRE (80/90-16M/C 43P NP76)	1				INOUE
3	94208-16800	TUBE (80/90-16 TR4)	1				INOUE
4	5LW-F5326-01	PIN, PIVOT	1				
5	95707-10500	NUT, FLANGE	1				
6	93210-07802	O-RING	1				
7	5DV-W253A-12	BRAKE SHOE KIT	1				
8	90506-12001	.SPRING, TENSION	1				
9	90506-15001	.SPRING, TENSION	1				
10	10C-F5351-00	CAMSHAFT	1				
11	10C-F5355-00	LEVER, CAMSHAFT	1				
12	5LW-F533A-00	PLATE, INDICATOR	1				
13	90206-14093	WASHER, WAVE	1				
14	90101-06278	BOLT	1				
15	90185-14124	NUT, SELF-LOCKING	1				
16	90201-20276	WASHER, PLATE (T=1.0)	1				

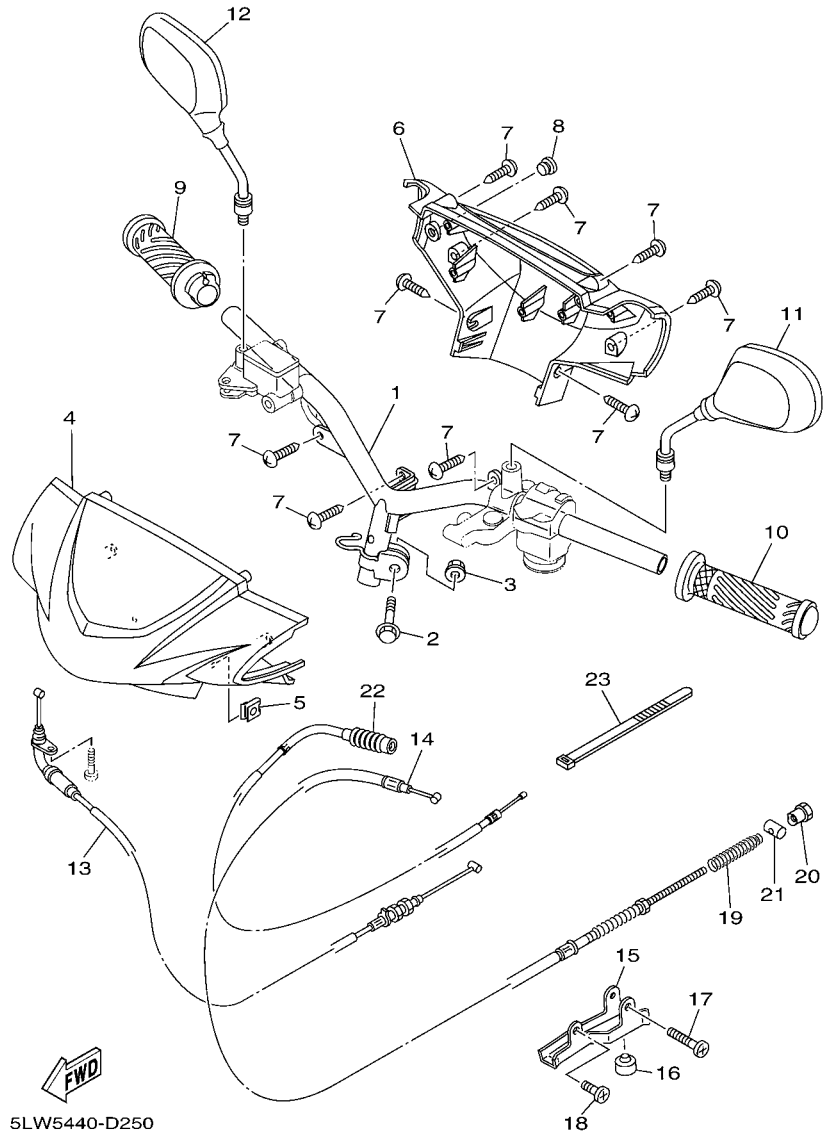
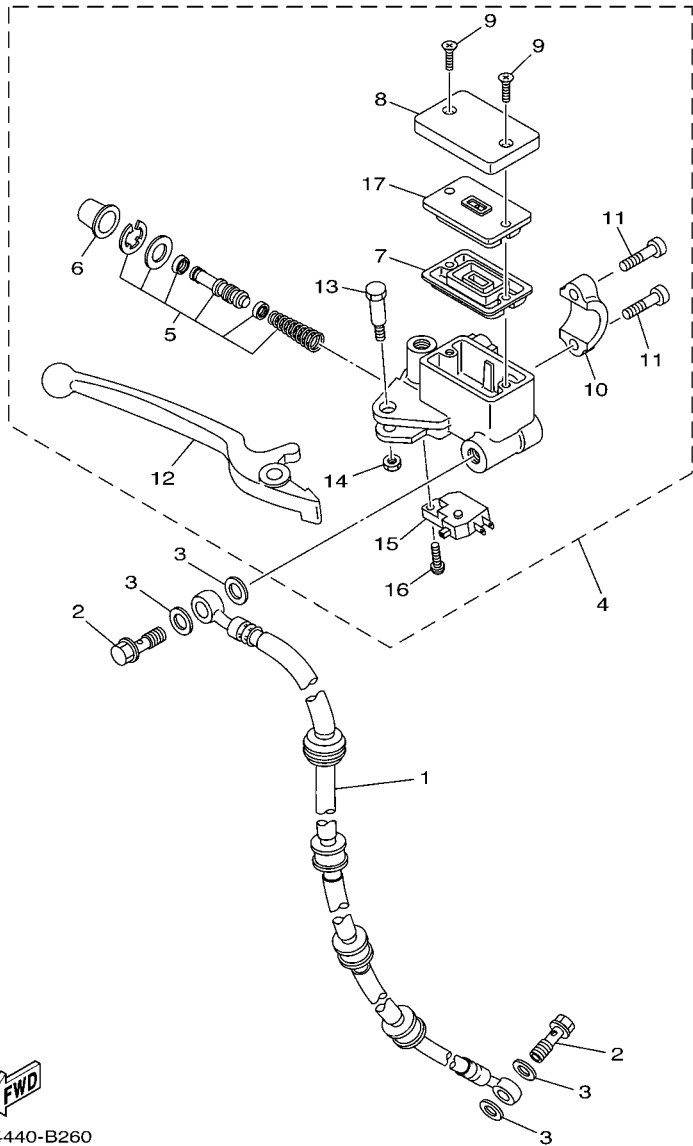


FIG. 25 STEERING HANDLE & CABLE

REF. NO.	PART NO.	DESCRIPTION	SLW7				REMARKS
1	5LW-F6110-20	HANDLE COMP.	1				
2	90105-10036	BOLT, FLANGE	1				
3	90185-10154	NUT, SELF-LOCKING	1				
4	5LW-F6143-10-P3	COVER, HANDLEBAR UPPER 1	1				UR FOR DRMK
	5LW-F6143-10-P2	COVER, HANDLEBAR UPPER 1	1				UR FOR SMX,BWC1
5	90183-05042	NUT, SPRING	2				
6	5LW-F6145-20-P2	COVER, HANDLEBAR UPPER 2	1				SMX
7	97707-50014	SCREW, TRUSS HEAD TAPPING	9				
8	1S8-F6199-00	PLUG, BLIND	1				
9	5LW-F6240-00	GRIP ASSY	1				
10	5LW-F6241-00	GRIP	1				
11	5LW-F6280-00	REAR VIEW MIRROR ASSY (LEFT)	1				
12	5LW-F6290-00	REAR VIEW MIRROR ASSY (RIGHT)	1				
13	5LW-F6311-20	CABLE, THROTTLE 1	1				
14	5LW-F6351-20	CABLE, BRAKE	1				
15	5LW-F637G-00	HOLDER, WIRE	1				
16	5LW-F7214-00	STOPPER	1				
17	98507-06040	SCREW, PAN HEAD	1				
18	98507-06014	SCREW, PAN HEAD	1				
19	90501-16003	SPRING, COMPRESSION	1				
20	90179-06411	NUT	1				
21	90249-12008	PIN	1				
22	5LW-F6331-20	CABLE, STARTER 1	1				
23	3AY-H3936-10	BAND, SWITCH CORD	1				




 5LW4440-B260

FIG. 26 FRONT MASTER CYLINDER

REF. NO.	PART NO.	DESCRIPTION	SLW7				REMARKS
1	1P7-F5872-00	HOSE, BRAKE 1	1				
2	90401-10159	BOLT, UNION	2				
3	90201-10118	WASHER, PLATE	4				
4	5LW-F583T-01	MASTER CYLINDER ASSY	1				
5	4TT-W0041-00	.CYLINDER KIT, MASTER	1				
6	5G2-F5868-00	.BOOT, MASTER CYLINDER	1				
7	4TT-F5854-00	.DIAPHRAGM, RESERVOIR	1				
8	5LW-F5852-00	.CAP, RESERVOIR	1				
9	9870M-04012	.SCREW, FLAT HEAD	2				
10	56A-F5867-00	.BRACKET, MASTER CYLINDER	1				
11	5LW-F6332-00	.BOLT	2				
12	4TT-H3922-00	.LEVER 2	1				
13	90109-06848	.BOLT	1				
14	9560M-06100	.NUT, U	1				
15	5LW-H3980-00	.FRONT STOP SWITCH ASSY	1				
16	9760L-04212	.SCREW, PAN HEAD WITH WASHER	1				
17	5LW-F585B-00	.PLATE, DIAPHRAGM	1				

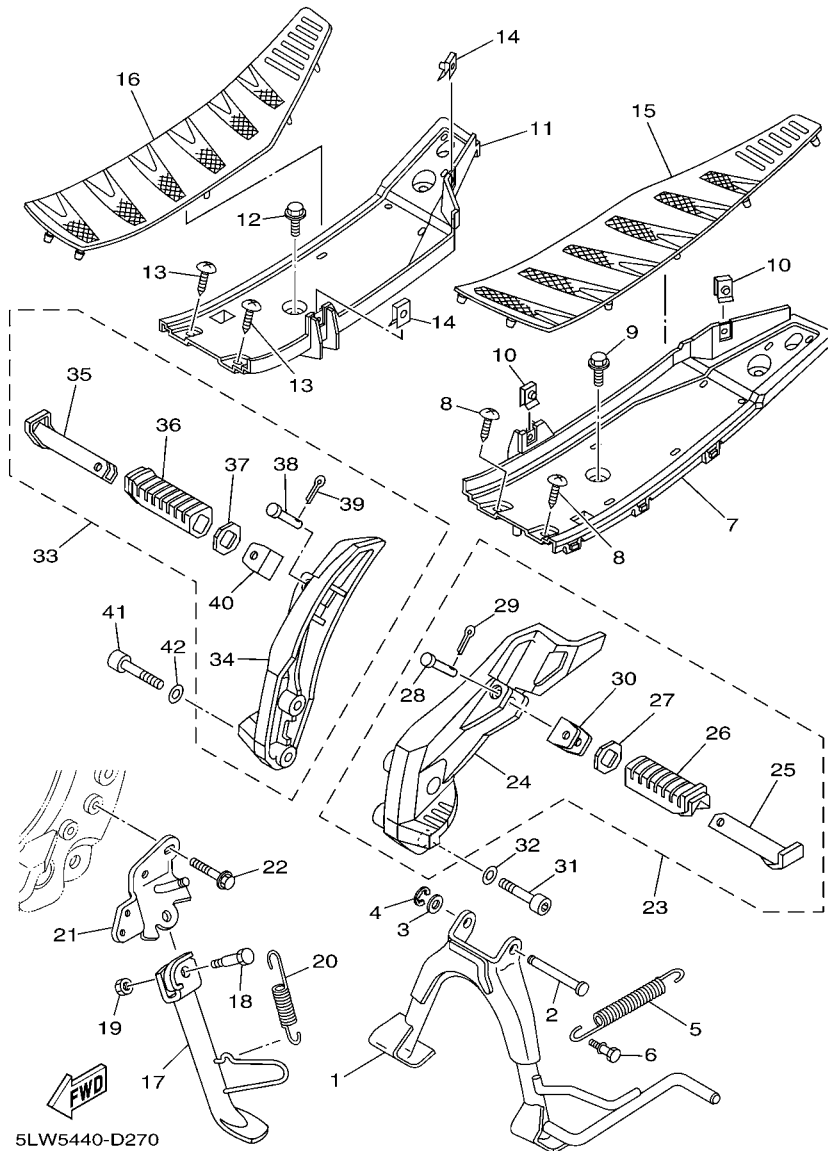
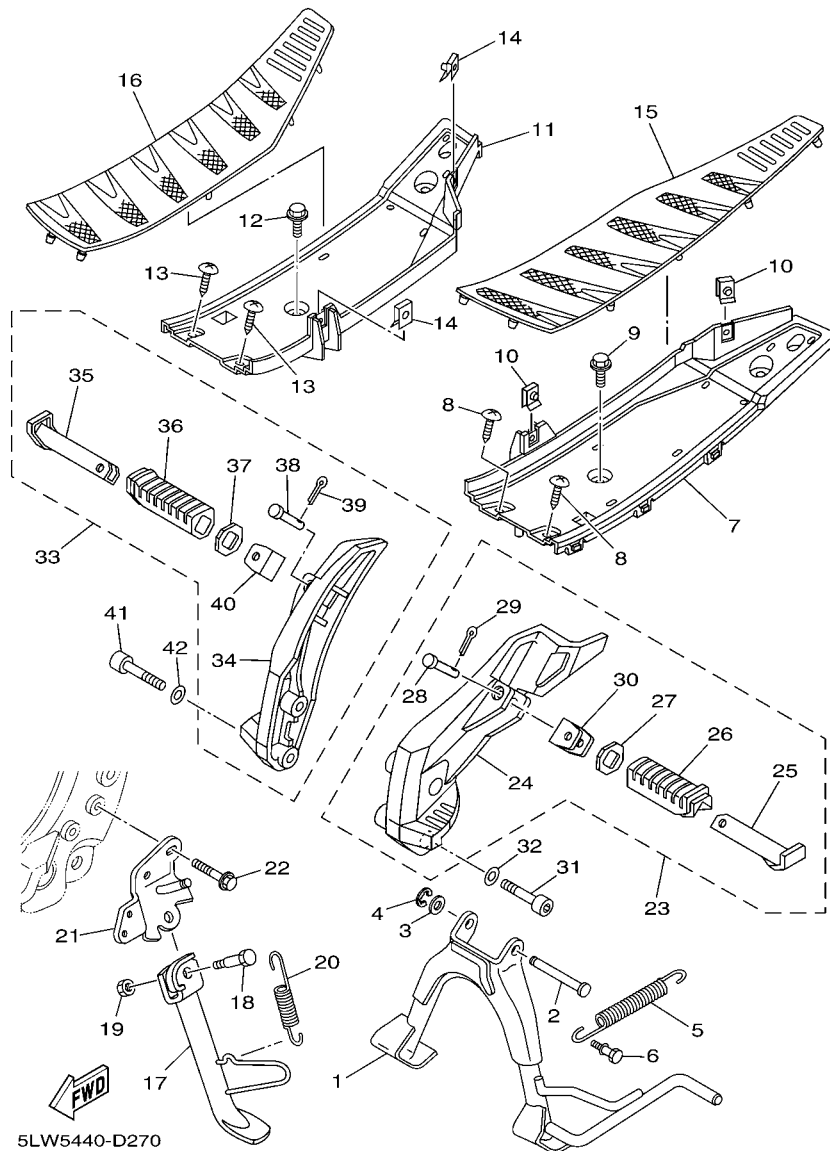


FIG. 27 STAND & FOOTREST

REF. NO.	PART NO.	DESCRIPTION	SLW7				REMARKS
1	5LW-F7111-00	STAND, MAIN	1				
2	90249-10002	PIN	1				
3	90201-10119	WASHER, PLATE	1				
4	99001-08600	CIRCLIP	1				
5	90506-35002	SPRING, TENSION	1				
6	5LW-F7254-00	HOOK	1				
7	1P7-F7481-00	BOARD, FOOTREST	1				
8	97707-50014	SCREW, TRUSS HEAD TAPPING	3				
9	90119-06044	BOLT, WITH WASHER	2				
10	90183-05042	NUT, SPRING	3				
11	1P7-F7488-00	BOARD, FOOTREST 2	1				
12	90119-06044	BOLT, WITH WASHER	2				
13	97707-50014	SCREW, TRUSS HEAD TAPPING	3				
14	90183-05042	NUT, SPRING	3				
15	1P7-F7483-00	MAT 1	1				
16	1P7-F7484-00	MAT 2	1				
17	5LW-F7311-01	STAND, SIDE	1				
18	90109-08034	BOLT	1				
19	95307-08700	NUT	1				
20	90506-20514	SPRING, TENSION	1				
21	5LW-F7321-00	BRACKET, SIDE STAND	1				
22	95817-10040	BOLT, FLANGE	2				
23	5LW-F7430-20	REAR FOOTREST ASSY 1	1				
24	5LW-F7452-00	.BRACKET, FOOTREST 1	1				
25	5BU-F7431-00	.FOOTREST, REAR 1	1				
26	5BU-F7433-00	.COVER, REAR FOOTREST	1				
27	5BU-F7445-00	.PLATE 1	1				

FIG. 27 STAND & FOOTREST



REF. NO.	PART NO.	DESCRIPTION	SLW7				REMARKS
28	90240-08145	.PIN, CLEVIS	1				
29	91401-25015	.PIN, COTTER	1				
30	1P7-F7314-00	.STOPPER	1				
31	91314-08050	BOLT	2				
32	90201-06018	WASHER, PLATE	2				
33	5LW-F7440-20	REAR FOOTREST ASSY 2	1				
34	5LW-F7462-00	.BRACKET, FOOTREST 2	1				
35	5BU-F7441-00	.FOOTREST, REAR 2	1				
36	5BU-F7444-00	.COVER, REAR FOOTREST	1				
37	5BU-F7445-00	.PLATE 1	1				
38	90240-08145	.PIN, CLEVIS	1				
39	91401-25015	.PIN, COTTER	1				
40	1P7-F7314-00	.STOPPER	1				
41	91314-08020	BOLT	2				
42	90201-06018	WASHER, PLATE	2				

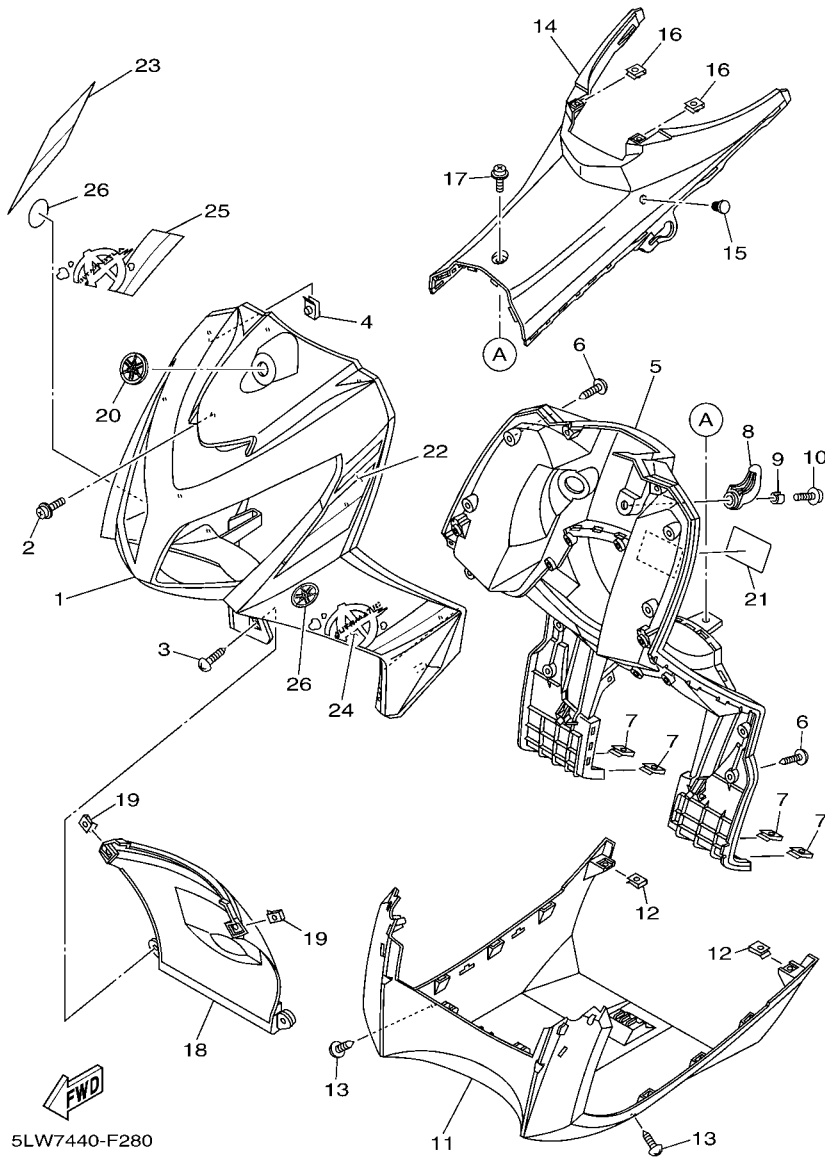


FIG. 28 LEG SHIELD

REF. NO.	PART NO.	DESCRIPTION	SLW7			REMARKS
1	5LW-F8311-20-P3	LEG SHIELD 1	1			FOR DRMK
	5LW-F8311-20-P2	LEG SHIELD 1	1			FOR SMX
	5LW-F8311-20-2X	LEG SHIELD 1	1			BWC1/SMX FOR BWC1
2	90159-06178	SCREW, WITH WASHER	2			
3	97707-50014	SCREW, TRUSS HEAD TAPPING	4			
4	90183-05042	NUT, SPRING	13			
5	5LW-F8300-00-P3	LEG SHIELD ASSY	1			UR FOR DRMK
	5LW-F8300-00-P2	LEG SHIELD ASSY	1			UR FOR SMX
	5LW-F8300-00-P4	LEG SHIELD ASSY	1			UR FOR BWC1
6	97707-50014	SCREW, TRUSS HEAD TAPPING	10			
7	90183-05042	NUT, SPRING	6			
8	5LW-F8257-10	HOOK 1	1			
9	5YW-F8373-00	COLLAR	1			
10	90159-06067	SCREW, WITH WASHER	1			
11	1P7-F8385-00	COVER, LOWER	1			
12	90183-05042	NUT, SPRING	2			
13	97707-50014	SCREW, TRUSS HEAD TAPPING	2			
14	1P7-F842N-00	COVER 2	1			
15	1S8-F6199-00	PLUG, BLIND	1			
16	90183-05042	NUT, SPRING	2			
17	90159-06033	SCREW, WITH WASHER	1			
18	1P7-F1552-00	FENDER, INNER	1			
19	90183-05042	NUT, SPRING	2			
20	5LL-F313B-00	EMBLEM 1	1			
21	5LW-F835Y-00	LABEL, CAUTION	1			
22	5LW-F8391-90	GRAPHIC 1	1			UR FOR DRMK
	5LW-F8391-A0	GRAPHIC 1	1			UR FOR SMX

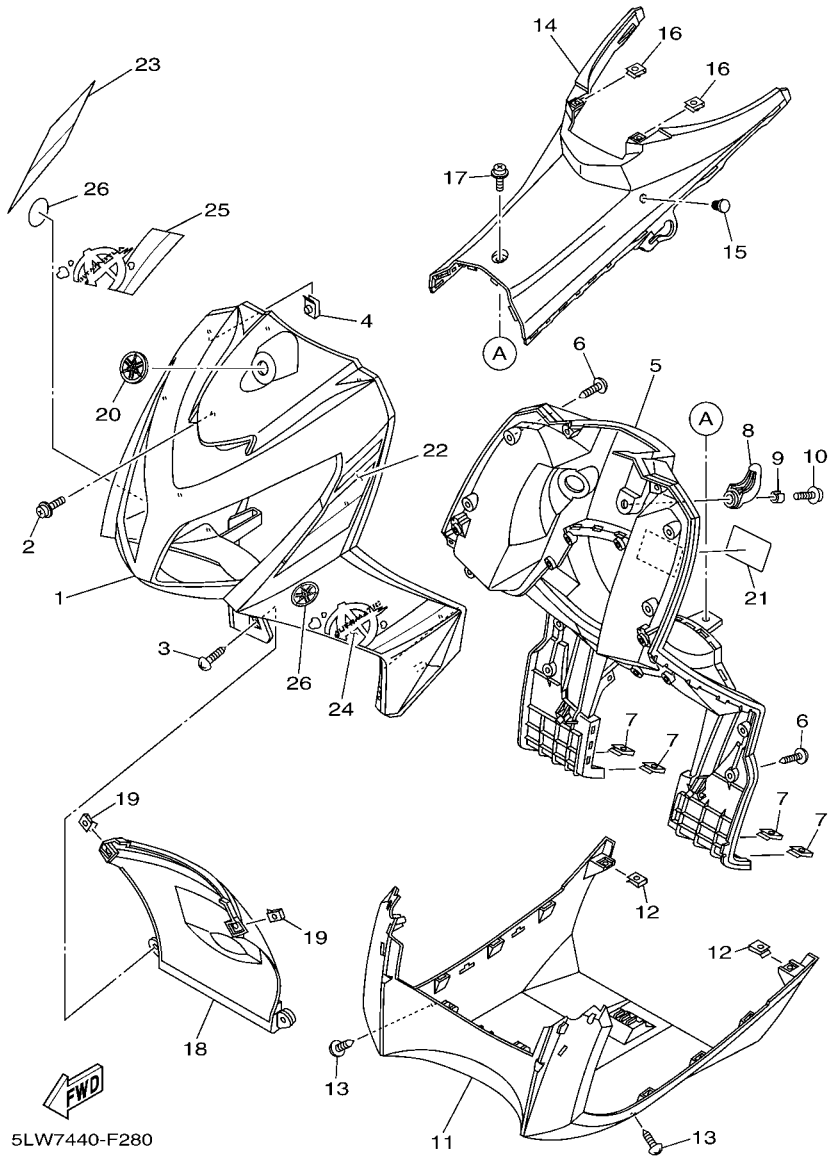
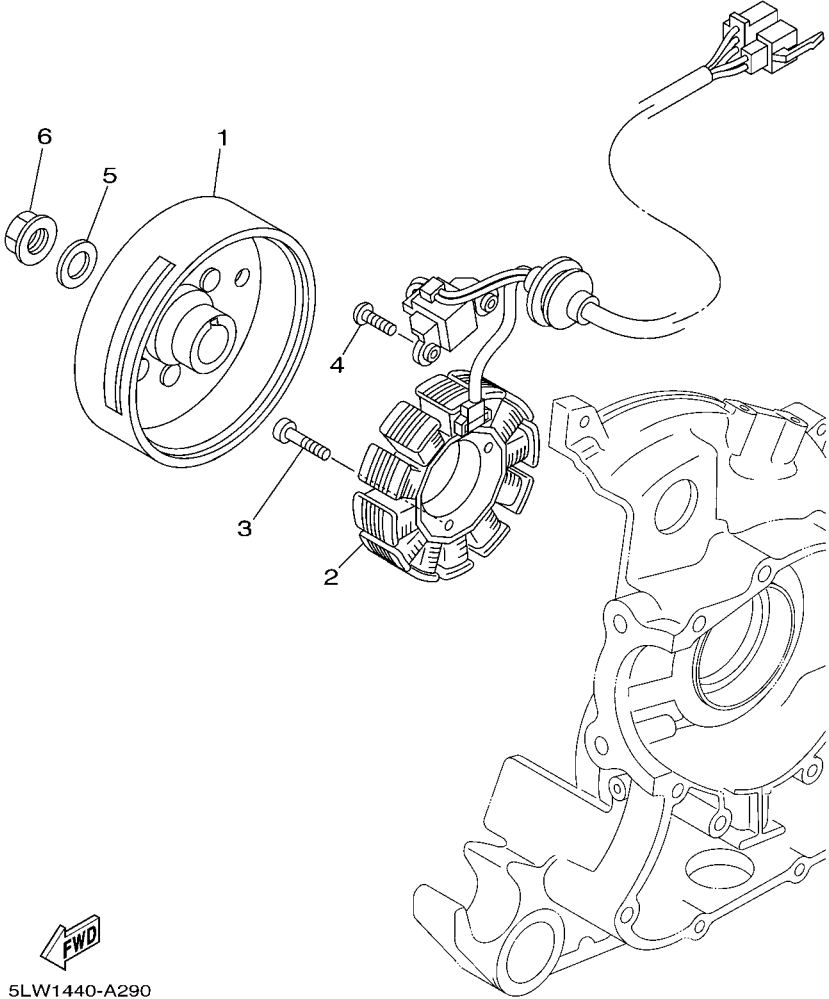


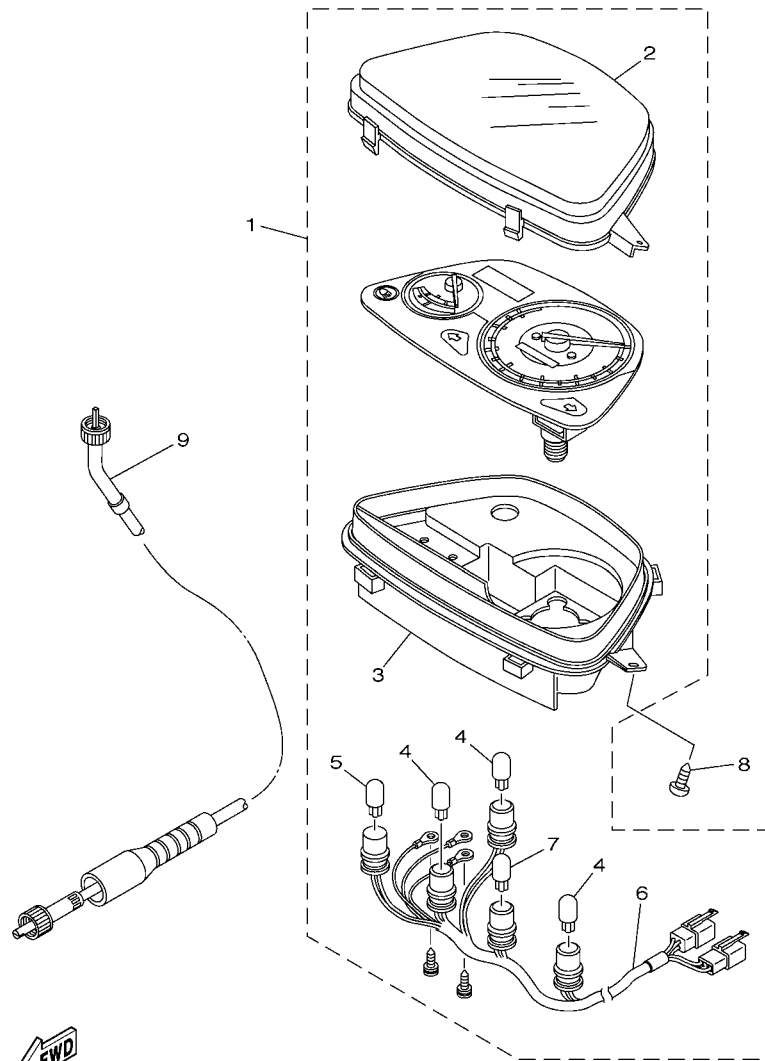
FIG. 28 LEG SHIELD

REF. NO.	PART NO.	DESCRIPTION	5LW7				REMARKS
22	5LW-F8391-B0	GRAPHIC 1	1				UR FOR BWC1
23	5LW-F8392-90	GRAPHIC 2	1				UR FOR DRMK
	5LW-F8392-A0	GRAPHIC 2	1				UR FOR SMX
	5LW-F8392-B0	GRAPHIC 2	1				UR FOR BWC1
24	5LW-F8393-90	GRAPHIC 3	1				UR FOR DRMK
	5LW-F8393-A0	GRAPHIC 3	1				UR FOR SMX
	5LW-F8393-B0	GRAPHIC 3	1				UR FOR BWC1
25	5LW-F8394-60	GRAPHIC 4	1				UR FOR DRMK
	5LW-F8394-70	GRAPHIC 4	1				UR FOR SMX
	5LW-F8394-80	GRAPHIC 4	1				UR FOR BWC1
26	1S8-F175C-00	TUNING FORK MARK	2				

FIG. 29 GENERATOR



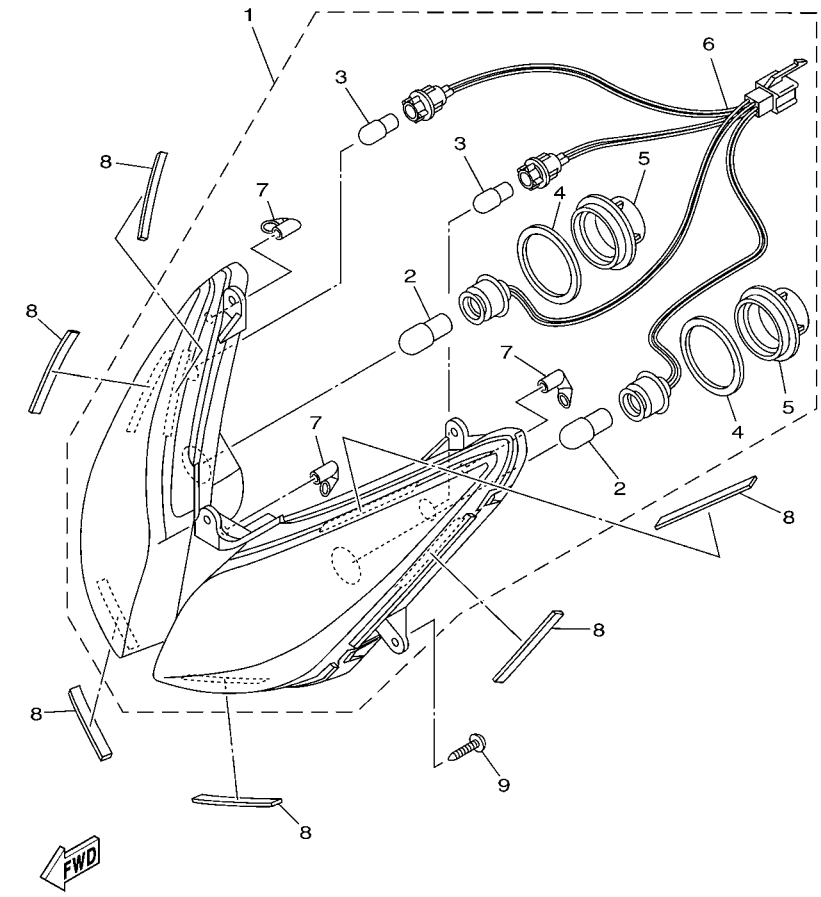
REF. NO.	PART NO.	DESCRIPTION	SLW7				REMARKS
1	5LW-H1450-01	ROTOR ASSY	1				
2	5LW-H1410-00	STATOR ASSY	1				
3	91317-06020	BOLT	3				
4	98507-06016	SCREW, PAN HEAD	2				
5	90201-12688	WASHER, PLATE	1				
6	90179-12248	NUT	1				



5LW1440-A310

FIG. 31 METER

REF. NO.	PART NO.	DESCRIPTION	5LW7				REMARKS
1	5LW-H3510-00	SPEEDOMETER ASSY	1				
2	5LW-H3511-00	.LENS, SPEEDOMETER	1				
3	5LW-H353F-00	.CASE, METER LOWER	1				
4	5BU-H3518-00	.BULB, METER (T10 12V-3.4W)	3				
5	5LW-H3518-00	.BULB, METER (T10 12V-1.7W)	1				
6	5LW-H3509-00	.SOCKET CORD ASSY	1				
7	5LW-H3517-00	.BULB, METER (T10 12V-1.7W)	1				
8	97707-50014	SCREW, TRUSS HEAD TAPPING	3				
9	5LW-H3550-00	SPEEDOMETER CABLE ASSY	1				



1P73431-D320

FIG. 32 HEADLIGHT

REF. NO.	PART NO.	DESCRIPTION	SLW7				REMARKS
1	1P7-H4300-00	HEADLIGHT ASSY	1				
2	5LL-H4314-00	.BULB, HEADLIGHT (12V 25/25W)	2				
3	5LL-H3311-00	.BULB, FLASHER (12V-10W)	2				AMBER
4	1P7-H466J-00	.O-RING 3	2				
5	1P7-H4397-00	.COVER, SOCKET	2				
6	1P7-H4312-00	.CORD ASSY	1				
7	1P7-H411V-00	.CAP	3				
8	5LW-F834E-00	DAMPER 3	6				
9	97707-50014	SCREW, TRUSS HEAD TAPPING	5				

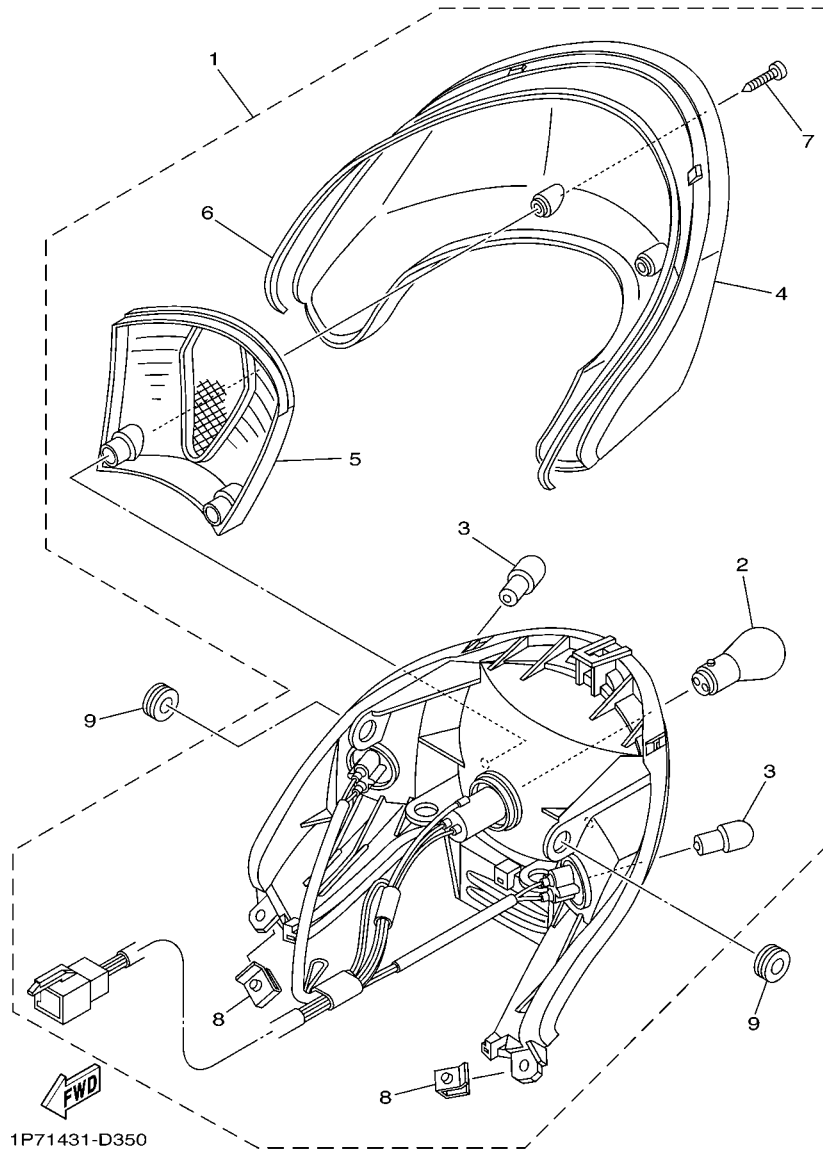
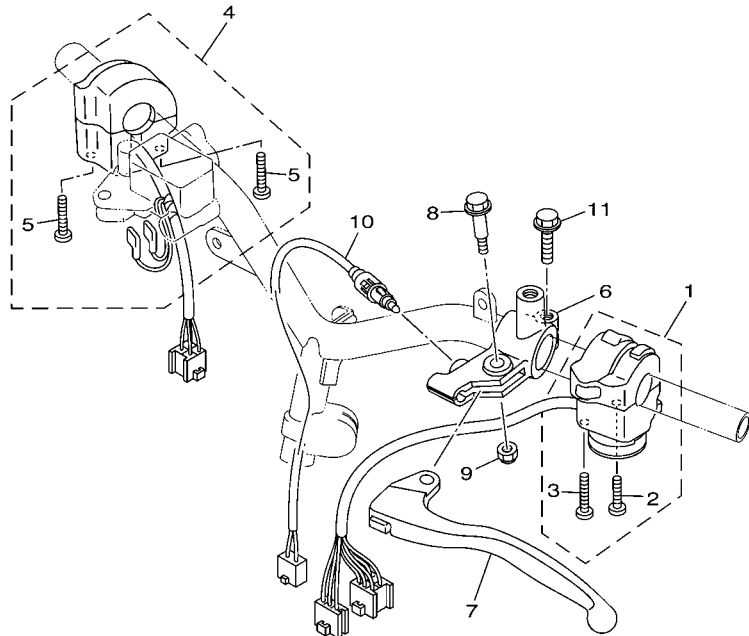


FIG. 33 TAILLIGHT

REF. NO.	PART NO.	DESCRIPTION	SLWT				REMARKS
1	1P7-H4700-00	TAILLIGHT ASSY	1				
2	4AC-H4714-00	.BULB (12V-21/5W)	1				
3	5HV-H3311-00	.BULB, FLASHER (12V-10W)	2				AMBER
4	1P7-H4743-00	.LENS, LICENCE LIGHT	1				
5	1P7-H4721-00	.LENS, TAILLIGHT	1				
6	1P7-H4723-00	.GASKET, TAIL LENS	1				
7	9770L-40620	.SCREW, TAPPING	2				
8	90183-05807	.NUT, SPRING	2				
9	90480-13813	GROMMET	2				



FWD
5MX6460-D340

FIG. 34 HANDLE SWITCH & LEVER

REF. NO.	PART NO.	DESCRIPTION	SLW7				REMARKS
1	5LW-H3973-10	SWITCH, HANDLE 3	1				
2	9850M-05030	.SCREW, PAN HEAD	1				
3	9850M-05040	.SCREW, PAN HEAD	1				
4	5LW-H3976-10	SWITCH, HANDLE 1	1				
5	9850M-05050	.SCREW, PAN HEAD	2				
6	5LW-H2911-10	HOLDER, LEVER 1	1				
7	5LW-H3912-10	LEVER 1	1				
8	90109-06799	BOLT	1				
9	95607-06100	NUT, U	1				
10	4ST-H3980-10	FRONT STOP SWITCH ASSY	1				
11	95027-06025	BOLT, FLANGE	1				

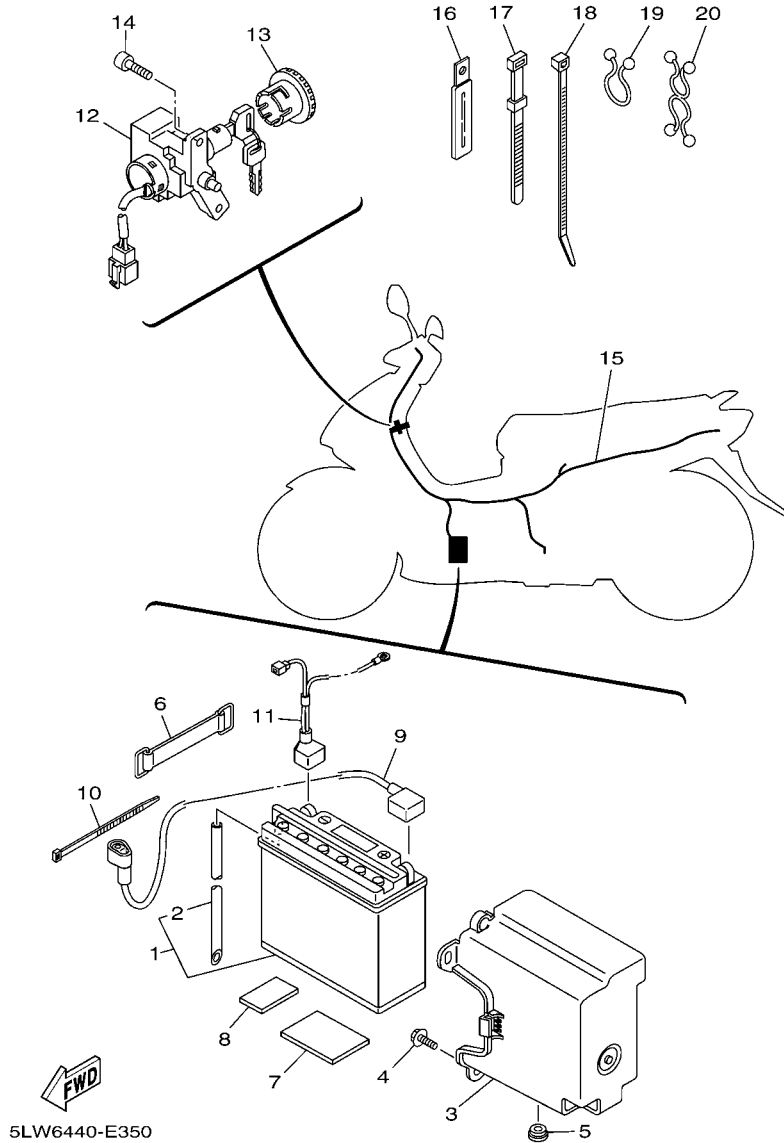
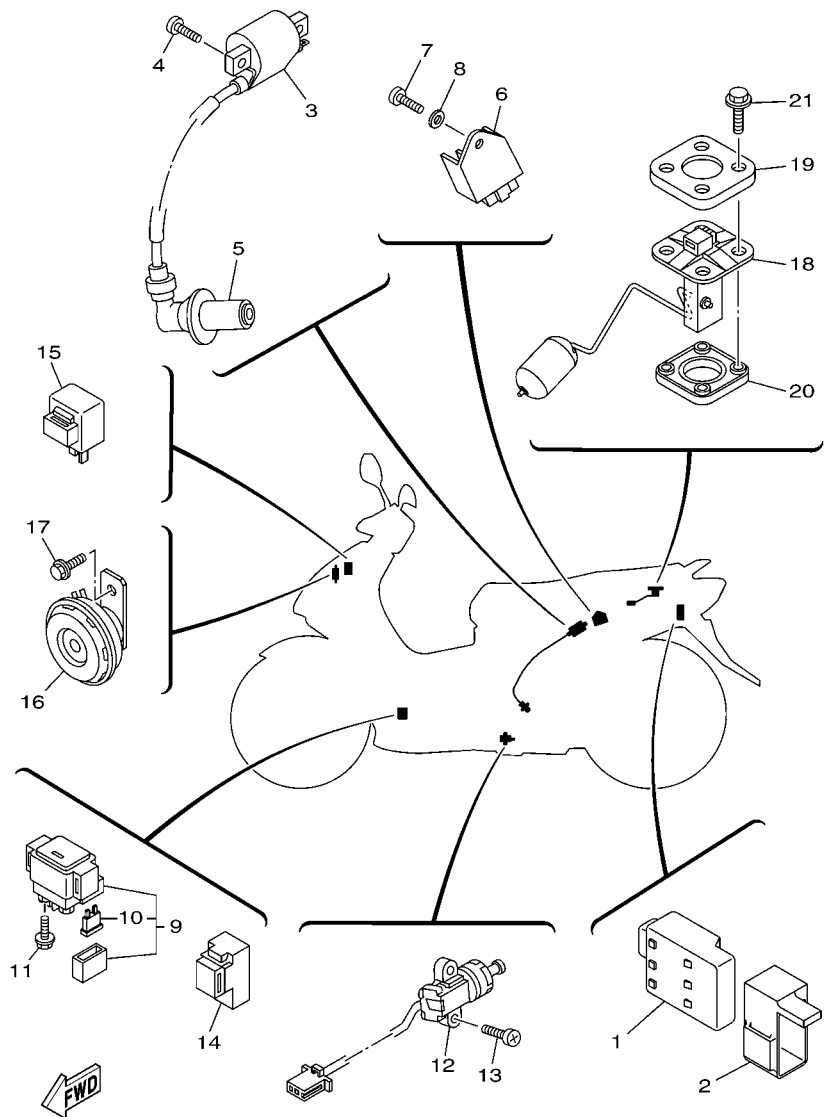


FIG. 35 ELECTRICAL 1

REF. NO.	PART NO.	DESCRIPTION	5LW7				REMARKS
1	5LW-H2110-01	BATTERY ASSY	1				
2	90446-06800	.HOSE	1				
3	5LW-H212B-00	BOX, BATTERY 1	1				
4	90119-06044	BOLT, WITH WASHER	2				
5	90480-13809	GROMMET	1				
6	4J7-H2131-00	BAND, BATTERY	1				
7	5LW-H2121-00	PAD, BATTERY	1				
8	5LW-H2126-00	PAD, BATTERY	3				
9	5LW-H2115-01	WIRE, PLUS LEAD	1				
10	3RS-H3936-00	BAND, SWITCH CORD	1				
11	1P7-H2116-00	WIRE, MINUS LEAD	1				
12	5LW-H2501-11	MAIN SWITCH STEERING LOCK	1				
13	5LW-H2552-00	CAP, SWITCH	1				
14	91317-06014	BOLT	2				
15	5LW-H2590-20	WIRE HARNESS ASSY	1				
16	90462-05059	CLAMP	1				
17	90464-50801	CLAMP	2				
18	90465-13275	CLAMP	4				
19	90464-16039	CLAMP	1				
20	90464-14134	CLAMP	1				



5LW6440-E360

FIG. 36 ELECTRICAL 2

REF. NO.	PART NO.	DESCRIPTION	5LW7				REMARKS
1	5LW-H5540-00	C.D.I. UNIT ASSY	1				
2	2D5-H5546-00	BAND	1				
3	5LW-H2310-01	IGNITION COIL ASSY	1				
4	98507-06018	SCREW,PAN HEAD	2				
5	5LW-H2370-00	PLUG CAP ASSY	1				
6	5VW-H1960-00	RECTIFIER & REGULATOR ASSY	1				
7	98507-06016	SCREW, PAN HEAD	1				
8	92907-06600	WASHER, PLATE	1				
9	5LW-81940-02	STARTER RELAY ASSY	1				
10	42X-82151-00	.FUSE (10A-BL)	2				
11	95027-06008	BOLT, FLANGE	2				
12	5LW-82566-00	SWITCH, SIDE STAND	1				
13	90157-05079	SCREW, PAN HEAD	2				
14	5LW-81950-00	RELAY ASSY	1				
15	5TF-H3350-00	FLASHER RELAY ASSY	1				
16	5BU-H3371-00	HORN	1				
17	95807-06010	BOLT, FLANGE	1				
18	5LW-H5752-10	SENDER UNIT ASSY, FUEL METER	1				
19	5BU-H5757-00	RETAINER	1				
20	5BU-H5753-00	GASKET, SENDER UNIT	1				
21	90119-05071	BOLT, WITH WASHER	4				

NUMERICAL INDEX

PART NO.	REF. NO.	PART NO.	REF. NO.	PART NO.	REF. NO.	PART NO.	REF. NO.	PART NO.	REF. NO.	PART NO.	REF. NO.
5LW-11133-10	1 - 2	156-23411-00	19 - 18	4ST-E2156-00	3 - 11	5MX-E4766-00	9 - 6	5MX-E7211-10	14 - 7	5LW-F174K-70	17 - 21
5LW-11134-10	1 - 3	22F-23411-01	19 - 22	4CW-E2157-00	4 - 15		9 - 14	2D5-E7410-00	14 - 1	5LW-F174K-80	17 - 21
33M-12117-01	3 - 7	156-23412-00	19 - 19	5LW-E2170-10	4 - 1	5LW-E4799-00	9 - 12	5MX-E7421-10	14 - 6	1S8-F175C-00	28 - 26
22F-12151-10	3 - 8	22F-23412-01	19 - 21	5MX-E2176-00	4 - 3	5LW-E4901-00	8 - 1	5LW-E7611-01	13 - 19	1P7-F176E-10	17 - 5
22F-12159-00	3 - 9	3VP-23416-00	19 - 24	5LW-E4987-00	4 - 9	5LW-E4987-00	1 - 25	5LW-F1781-60	13 - 11	5LW-F1781-60	17 - 22
5LW-14103-00	8 - 21	156-2341E-00	19 - 20	5MX-E2213-00	4 - 10	5LW-E5113-00	10 - 30	5TL-E7623-00	13 - 14	5LW-F1781-70	17 - 22
5LW-14105-00	8 - 25	22F-2341E-00	19 - 23	5VV-E2231-00	4 - 7	5LW-E5150-06	10 - 1	5TL-E7641-01	13 - 18	5LW-F1781-80	17 - 22
5LW-1410A-00	8 - 16	5LW-24411-00	8 - 38	5MX-E2241-00	4 - 8	5LW-E5191-00	11 - 9	5LW-F1110-10	15 - 1	5MX-F2123-00	10 - 4
5LW-14112-00	8 - 39	4SV-24453-00	8 - 12	5LW-E2611-00	6 - 11	5LW-E5315-00	11 - 26	1P7-F117M-00	15 - 17	5LW-F2171-30	18 - 1
22F-14115-00	8 - 24	4X8-24512-00	20 - 10	5LW-E2631-00	6 - 14	5LW-E5316-00	11 - 34	5LW-F1410-00	15 - 2	5LW-F2210-01	18 - 8
22F-14117-00	8 - 23	5LW-24780-00	21 - 11	5LW-E2651-00	6 - 1	5LW-E5326-00	11 - 37	5LW-F1459-00	15 - 9	5LW-F3100-00	19 - 1
5LW-14141-13	8 - 32	5LW-25190-00	22 - 11	5LW-E2652-00	6 - 3	1P7-E5333-00	11 - 32	5LW-F1511-10-P2	16 - 1	5LW-F3110-00	19 - 4
5LW-14142-17	8 - 30	5JW-25914-00	23 - 6	5LW-E2653-00	6 - 4	5LW-E5335-00	11 - 20	5LW-F1511-10-P3	16 - 1	5LL-F3111-00	19 - 13
3UH-14146-00	8 - 29	4TT-25919-00	23 - 9	5LW-E2658-00	6 - 2	5LW-E5351-00	5 - 4	15K-F1518-00	16 - 4	5LW-F3126-00	19 - 3
5HK-14147-00	8 - 9	4TT-25937-00	23 - 7	5LW-E2659-02	6 - 6	5LW-E5362-00	10 - 31	1P7-F1552-00	28 - 18	5LW-F3136-00	19 - 2
5LW-14147-00	8 - 40	5LW-81940-02	36 - 9	5LW-E2668-02	6 - 7	5LW-E5363-00	10 - 23	5LW-F1553-00	16 - 5	5LL-F313B-00	28 - 20
5LW-14150-00	8 - 31	5LW-81950-00	36 - 14	5LW-E3185-00	1 - 10	5LW-E5371-01	10 - 5	5LW-F1569-00	16 - 7	5LW-F3141-00	19 - 11
353-14186-00	8 - 10	42X-82151-00	36 - 10	5MX-E3300-00	5 - 1		11 - 5	5LW-F1569-10	16 - 7	5LL-F3144-00	19 - 10
12R-14191-00	8 - 15	5LW-82566-00	36 - 12	5TL-E3324-00	2 - 10	5LW-E5373-01	10 - 6	5LW-F1569-20	16 - 7	4UV-F3145-00	19 - 15
3G2-14231-20	8 - 5	5MX-E1102-00	1 - 1	5LW-E3411-00	5 - 5	5LW-E5379-00	11 - 27	1P7-F1611-00	16 - 8	2JG-F3147-00	19 - 14
4JG-14261-00	8 - 27	5LW-E111F-00	4 - 12	5LW-E3416-00	10 - 19	5LW-E5404-00	11 - 23	5LW-F1691-00	21 - 22	5LL-F3152-00	19 - 7
5LW-14261-00	8 - 36	5MX-E1145-00	4 - 4	5LW-E3452-00	2 - 7	5LW-E5407-01	11 - 15	5LW-F1711-10-P2	17 - 1	1T8-F3156-00	19 - 16
5AP-14280-00	8 - 17	5LW-E1155-00	1 - 11	5MX-E3474-01	7 - 6	5LW-E5408-00	11 - 24	5LW-F171E-10-P2	17 - 14	2JG-F3157-00	19 - 6
5HK-14349-00	8 - 26	5LW-E1165-00	1 - 9	5LW-E3475-00	5 - 2	5LW-E5411-00	11 - 1	5LW-F171E-10-P3	17 - 14	509-F3158-L0	19 - 8
5LW-14504-00	8 - 28	5LW-E1181-00	1 - 19	5LW-E3556-00	7 - 3	5LW-E5413-00	11 - 36	5LW-F171E-10-P4	17 - 14	5LW-F3170-00	19 - 5
583-14561-00	8 - 4	5LW-E1185-00	1 - 8	5LW-E3569-00	6 - 13	5LW-E5417-00	10 - 11	5LW-F1721-10-P2	17 - 4	278-F3181-50	19 - 9
5LW-14589-00	8 - 35	4ST-E1186-00	1 - 14	5MX-E3575-01	7 - 20	5LW-E5421-00	10 - 25	5LW-F1731-10-P2	17 - 8	5LW-F3340-00	19 - 17
5LW-1490J-00	8 - 2	5LW-E1310-00	1 - 23	5LW-E3585-00	7 - 1	5LW-E5451-00	11 - 2	5LW-F1731-10-P3	17 - 8	5LL-F3346-00	19 - 12
5LW-14919-00	8 - 33	5LW-E1351-00	1 - 24	5MX-E3595-10	7 - 2	5LW-E5453-00	10 - 14	5LW-F1731-10-P4	17 - 8	5LW-F4110-10	20 - 1
5LW-14919-10	8 - 34	5MX-E1391-00	10 - 20	5LW-E3769-00	10 - 32	5LW-E5461-00	10 - 26	5LW-F173E-90	17 - 16	1P7-F414A-00	20 - 15
5AP-14940-00	8 - 18	5TL-E1400-10	2 - 1	5LW-E4411-01	7 - 7	5LW-E5471-00	11 - 16	5LW-F173E-A0	17 - 16	1P7-F4311-00	20 - 3
5HK-14985-00	8 - 3	5TL-E1412-10	2 - 2	5LW-E4412-00	7 - 8	5LW-E5472-00	11 - 17	5LW-F173E-B0	17 - 16	5LW-F4312-00	20 - 4
5LW-15479-00	11 - 22	5TL-E1422-10	2 - 6	5LW-E4417-00	7 - 17	5LW-E5473-00	11 - 19	5LW-F173F-90	17 - 17	4TT-F4500-00	20 - 9
5LW-15521-00	12 - 6	5MX-E1603-00	2 - 15	5LW-E4435-00	7 - 14	5LW-E5475-00	11 - 21	5LW-F173F-A0	17 - 17	5LW-F4610-00	20 - 13
5LW-15659-01	11 - 8	5MX-E1605-00	2 - 15	5MY-E443B-00	7 - 18	5LW-E5491-00	11 - 35	5LW-F173F-B0	17 - 17	5LW-F4612-00	20 - 14
3YJ-16523-00	13 - 26	5MX-E1607-00	2 - 15	4ST-E443E-00	11 - 6	5LW-E5492-00	11 - 25	5LW-F1741-10-P2	17 - 11	1P7-F470F-00	21 - 2
5LW-16611-01	13 - 7	5MX-E1631-00	2 - 12	5LW-E443E-00	7 - 15	5LW-E5494-00	11 - 39	5LW-F1741-10-P3	17 - 11	5LW-F4723-00	21 - 16
5LW-16620-02	13 - 24	5MX-E1633-10	2 - 13	5LW-E4449-00	7 - 13	5LW-E5495-00	11 - 28	5LW-F1741-10-P4	17 - 11	5LW-F4726-00	21 - 6
4KN-16626-00	13 - 25	5MX-E1636-00	2 - 12	5LW-E4451-00	7 - 10	5TL-E5524-00	12 - 1	5LW-F174G-60	17 - 18	1P7-F4728-00	21 - 3
5LW-17632-00	13 - 13	5MX-E1638-00	2 - 12	5LW-E4452-00	7 - 11	5LW-E5532-00	12 - 8	5LW-F174G-70	17 - 18	1P7-F4730-01	21 - 1
5LW-17653-00	13 - 15	5MX-E1651-01	2 - 5	5LW-E4453-00	7 - 12	5VV-E5570-10	12 - 4	5LW-F174G-80	17 - 18	5LW-F473R-10	21 - 15
5LW-17660-00	13 - 28	5MX-E1681-10	2 - 3	5LW-E4610-10	9 - 1	5MX-E5601-10	12 - 10	5LW-F174H-60	17 - 19	5LW-F4747-00	21 - 20
24G-17664-00	13 - 32	5LW-E2111-00	3 - 1	5LW-E4613-00	9 - 15	5LW-E5620-00	12 - 16	5LW-F174H-70	17 - 19	5MY-F475M-00	21 - 17
5LW-17670-00	13 - 29	5MX-E2113-00	3 - 5	5LW-E4628-10	9 - 9	5TL-E5650-00	12 - 5	5LW-F174H-80	17 - 19	5LW-F4773-10	21 - 13
3XG-17684-00	13 - 34	5MX-E2116-00	3 - 4	5MX-E4710-10	9 - 2	5MX-E5657-00	13 - 21	5LW-F174J-60	17 - 20	5LW-F478E-10	21 - 9
5G3-21481-00	15 - 3	5TL-E2118-00	3 - 6	5MX-E4714-00	9 - 18	5MX-E5670-00	12 - 18	5LW-F174J-70	17 - 20	5LW-F5168-00-33	22 - 1
164-22216-00	10 - 3	5MX-E2119-00	3 - 3	5LW-E4718-00	9 - 3	5MX-E5673-00	12 - 19	5LW-F174J-80	17 - 20	5MX-F5181-00	15 - 11
	18 - 6	5LW-E2121-00	3 - 2	5LW-E4728-00	9 - 7	5LW-E6111-00	13 - 1	5LW-F174K-60	17 - 21	3AY-F5181-01	22 - 8

NUMERICAL INDEX

PART NO.	REF. NO.	PART NO.	REF. NO.	PART NO.	REF. NO.	PART NO.	REF. NO.	PART NO.	REF. NO.	PART NO.	REF. NO.
5LW-F5326-01	24 - 4	5BU-F7445-00	27 - 37	5LW-H2310-01	36 - 3	5DV-W253A-12	24 - 7	90183-05042	28 - 16	90430-08119	10 - 22
5LW-F5338-00-33	24 - 1	5LW-F7452-00	27 - 24	5LW-H2370-00	36 - 5	90101-06278	24 - 14		28 - 19	90446-06800	35 - 2
5LW-F533A-00	24 - 12	5LW-F7462-00	27 - 34	5LW-H2501-11	35 - 12	90101-10776	18 - 10	90183-05807	33 - 8	90462-05059	35 - 16
10C-F5351-00	24 - 10	1P7-F7481-00	27 - 7	5LW-H2552-00	35 - 13	90105-06069	19 - 28	90185-10091	22 - 9	90464-12238	20 - 7
10C-F5355-00	24 - 11	1P7-F7483-00	27 - 15	5LW-H2590-20	35 - 15	90105-08048	15 - 7	90185-10154	25 - 3	90464-14134	35 - 20
4US-F580U-00	23 - 3	1P7-F7484-00	27 - 16	5LW-H2911-10	34 - 6	90105-08121	18 - 9	90185-14124	24 - 15	90464-16039	35 - 19
5TN-F582U-00	23 - 1	1P7-F7488-00	27 - 11	5HV-H3311-00	33 - 3	90105-10036	25 - 2	90201-06018	27 - 32	90464-50801	35 - 17
5LW-F583T-01	26 - 4	5LW-F8100-10	15 - 18	5LL-H3311-00	32 - 3	90105-10638	23 - 11		27 - 42	90465-13275	35 - 18
5LW-F5852-00	26 - 8	5LW-F8257-10	28 - 8	5TF-H3350-00	36 - 15	90109-063F1	21 - 18	90201-06060	13 - 2	90467-08075	20 - 6
4TT-F5854-00	26 - 7	5LW-F8300-00-P2	28 - 5	5BU-H3371-00	36 - 16	90109-06799	34 - 8	90201-06063	7 - 22	90467-09006	1 - 26
5LW-F585B-00	26 - 17	5LW-F8300-00-P3	28 - 5	5LW-H3509-00	31 - 6	90109-067E4	10 - 28	90201-06072	16 - 3		20 - 5
56A-F5867-00	26 - 10	5LW-F8300-00-P4	28 - 5	5LW-H3510-00	31 - 1	90109-06848	26 - 13	90201-06557	17 - 3	90467-09802	7 - 19
5G2-F5868-00	26 - 6	5LW-F8311-20-2X	28 - 1	5LW-H3511-00	31 - 2	90109-08034	27 - 18		17 - 7	90467-11106	11 - 7
1P7-F5872-00	26 - 1	5LW-F8311-20-P2	28 - 1	5LW-H3517-00	31 - 7	90109-084F7	23 - 2	90201-08088	11 - 31	90467-12800	7 - 16
1P7-F5875-00	19 - 26	5LW-F8311-20-P3	28 - 1	5BU-H3518-00	31 - 4	90110-06813	10 - 29	90201-08609	1 - 16	90480-13809	35 - 5
1P7-F5876-00	19 - 27	5LW-F834E-00	32 - 8	5LW-H3518-00	31 - 5	90111-06802	9 - 8	90201-10018	12 - 7	90480-13813	33 - 9
1P7-F5886-00	19 - 29	2D5-F8356-00	15 - 14	5LW-H353F-00	31 - 3		9 - 13	90201-10118	26 - 3	90501-16003	25 - 19
5LW-F6110-20	25 - 1	5LW-F835Y-00	28 - 21	5LW-H3550-00	31 - 9	90116-08806	1 - 5	90201-10119	27 - 3	90501-16004	5 - 6
5LW-F6143-10-P2	25 - 4	5YW-F8373-00	28 - 9	5LW-H3912-10	34 - 7	90119-05071	36 - 21	90201-101J1	22 - 10	90501-43002	13 - 33
5LW-F6143-10-P3	25 - 4	1P7-F8385-00	28 - 11	4TT-H3922-00	26 - 12	90119-06018	16 - 6	90201-12172	10 - 34	90506-12001	24 - 8
5LW-F6145-20-P2	25 - 6	5LW-F8391-90	28 - 22	3RS-H3936-00	35 - 10	90119-06044	16 - 9	90201-12688	15 - 12	90506-15001	24 - 9
1S8-F6199-00	25 - 8	5LW-F8391-A0	28 - 22	3AY-H3936-10	20 - 8		27 - 9		29 - 5	90506-20514	27 - 20
	28 - 15	5LW-F8391-B0	28 - 22		25 - 23		27 - 12	90201-15008	14 - 4	90506-35002	27 - 5
5LW-F6240-00	25 - 9	5LW-F8392-90	28 - 23	5LW-H3973-10	34 - 1		35 - 4	90201-15016	14 - 5	90508-32768	12 - 11
5LW-F6241-00	25 - 10	5LW-F8392-A0	28 - 23	5LW-H3976-10	34 - 4	90119-06054	11 - 33	90201-154E8	12 - 13	90560-10292	22 - 2
5LW-F6280-00	25 - 11	5LW-F8392-B0	28 - 23	5LW-H3980-10	26 - 15	90149-06011	20 - 11	90201-16008	13 - 17	91314-08020	27 - 41
5LW-F6290-00	25 - 12	5LW-F8393-90	28 - 24	4ST-H3980-10	34 - 10	90153-06803	1 - 6	90201-20276	24 - 16	91314-08050	27 - 31
5LW-F6311-20	25 - 13	5LW-F8393-A0	28 - 24	1P7-H411V-00	32 - 7	90157-05079	36 - 13	90202-05193	20 - 12	91317-06012	4 - 13
5LW-F6331-20	25 - 22	5LW-F8393-B0	28 - 24	1P7-H4300-00	32 - 1	90159-06033	28 - 17	90206-14093	24 - 13	91317-06014	35 - 14
5LW-F6332-00	26 - 11	5LW-F8394-60	28 - 25	1P7-H4312-00	32 - 6	90159-06067	17 - 15	90208-12050	13 - 22	91317-06016	4 - 11
5LW-F6351-20	25 - 14	5LW-F8394-70	28 - 25	5LL-H4314-00	32 - 2		28 - 10	90208-21002	14 - 8	91317-06020	1 - 13
5LW-F637G-00	25 - 15	5LW-F8394-80	28 - 25	1P7-H4397-00	32 - 5	90159-06178	28 - 2	90214-14002	13 - 20		29 - 3
5LW-F7111-00	27 - 1	1P7-F842N-00	28 - 14	1P7-H466J-00	32 - 4	90170-05302	3 - 10	90240-08145	27 - 28	91317-06025	12 - 17
5LW-F7114-00	15 - 5	5LW-H1410-00	29 - 2	1P7-H4700-00	33 - 1	90170-10317	13 - 8		27 - 38	91317-06035	7 - 21
5MX-F7121-00	10 - 2	5LW-H1450-01	29 - 1	4AC-H4714-00	33 - 2	90176-08805	1 - 17	90241-10015	21 - 8	91401-25015	27 - 29
5LW-F7214-00	25 - 16	5LW-H1800-02	30 - 1	1P7-H4721-00	33 - 5	90179-06411	25 - 20	90249-10002	27 - 2		27 - 39
5LW-F7254-00	27 - 6	3KW-H1801-00	30 - 2	1P7-H4723-00	33 - 6	90179-12248	29 - 6	90249-12008	25 - 21	91810-14001	10 - 27
5LW-F7311-01	27 - 17	3UH-H1828-01	30 - 4	1P7-H4743-00	33 - 4	90179-25802	19 - 25	90280-03017	2 - 11	92902-04100	8 - 14
1P7-F7314-00	27 - 30	5LW-H183G-00	30 - 6	5LW-H5540-00	36 - 1	90179-28415	13 - 35	90340-12808	10 - 33		8 - 20
	27 - 40	5VW-H1960-00	36 - 6	2D5-H5546-00	36 - 2	90183-05042	17 - 10	90340-32820	11 - 3	92902-05100	8 - 8
5LW-F7321-00	27 - 21	5LW-H2110-01	35 - 1	5LW-H5752-10	36 - 18		17 - 13	90380-15800	12 - 12	92903-06200	9 - 5
5LW-F7430-20	27 - 23	5LW-H2115-01	35 - 9	5BU-H5753-00	36 - 20		21 - 21	90387-067V1	6 - 5		9 - 10
5BU-F7431-00	27 - 25	1P7-H2116-00	35 - 11	5BU-H5757-00	36 - 19		25 - 5	90387-08754	15 - 6	92907-06600	36 - 8
5BU-F7433-00	27 - 26	5LW-H2121-00	35 - 7	4TT-W0041-00	26 - 5		27 - 10	90387-10277	22 - 7	93101-21803	13 - 12
5LW-F7440-20	27 - 33	5LW-H2126-00	35 - 8	4US-W0045-00	23 - 8		27 - 14	90387-15805	18 - 5	93102-15801	12 - 15
5BU-F7441-00	27 - 35	5LW-H212B-00	35 - 3	4ES-W0047-10	23 - 5		28 - 4	90387-16009	13 - 16	93102-17803	13 - 6
5BU-F7444-00	27 - 36	2JG-H2131-00	21 - 5	51L-W0048-00	23 - 10		28 - 7	90401-10159	26 - 2	93102-19800	10 - 12
5BU-F7445-00	27 - 27	4J7-H2131-00	35 - 6	4TT-W0057-00	23 - 4		28 - 12	90430-06014	1 - 7	93102-22810	10 - 18

NUMERICAL INDEX

PART NO.	REF. NO.	PART NO.	REF. NO.	PART NO.	REF. NO.	PART NO.	REF. NO.	PART NO.	REF. NO.	PART NO.	REF. NO.
93102-26800	14 - 10	95027-06020	11 - 18	97707-50014	17 - 9						
93104-33003	13 - 30	95027-06025	11 - 12		17 - 12						
93106-20816	22 - 3		34 - 11		21 - 19						
93106-28800	18 - 4	95027-06035	11 - 13		25 - 7						
93106-28801	18 - 3	95027-06050	10 - 10		27 - 8						
93210-06800	13 - 10	95027-06060	10 - 8		27 - 13						
93210-07802	24 - 6		11 - 14		28 - 3						
93210-09800	1 - 4	95027-06070	10 - 16		28 - 6						
93210-148H8	10 - 24	95027-06100	1 - 22		28 - 13						
93210-15862	4 - 14		10 - 9		31 - 8						
93210-25803	7 - 4	95027-08040	11 - 29		32 - 9						
93210-26668	30 - 5	95027-08080	11 - 30	97707-60530	6 - 9						
93210-29800	5 - 7	95307-08700	27 - 19	9770L-40620	33 - 7						
93210-328G3	11 - 4	95307-12700	13 - 23	9770N-50525	7 - 9						
93210-384A6	13 - 31	95607-06100	34 - 9	98502-04010	8 - 22						
93210-448G4	1 - 15	95607-08200	15 - 8	98502-04014	8 - 19						
93210-55669	30 - 3	95607-10200	15 - 4	98502-04018	8 - 13						
93210-71462	1 - 12	95607-12200	15 - 13	98502-05008	8 - 6						
93211-07800	10 - 13	9560M-06100	26 - 14	98502-05010	8 - 37						
93300-638Y6	13 - 9	95707-06500	21 - 4	98502-05012	8 - 7						
93306-002X2	4 - 2		21 - 7	98507-04008	8 - 11						
93306-00319	15 - 10	95707-08500	9 - 16	98507-05010	21 - 10						
93306-004XD	14 - 9		15 - 16	98507-05020	5 - 3						
93306-203YU	13 - 5	95707-10500	18 - 11	98507-06014	25 - 18						
	14 - 12		24 - 5	98507-06016	29 - 4						
93306-300X8	22 - 4	95807-06010	16 - 2		36 - 7						
93306-301YS	14 - 2		36 - 17	98507-06018	36 - 4						
93306-302X4	18 - 2	95807-06012	20 - 2	98507-06040	25 - 17						
93306-305X3	2 - 8	95807-06016	21 - 12	9850M-05030	34 - 2						
93306-372Y2	2 - 9	95807-06025	19 - 30	9850M-05040	34 - 3						
93306-809Y0	12 - 2	95817-06050	7 - 5	9850M-05050	34 - 5						
93310-528Y8	2 - 4	95817-08016	4 - 5	9870M-04012	26 - 9						
93311-315Y6	14 - 3		10 - 21	98907-06010	11 - 10						
93410-20070	14 - 11	95817-08035	9 - 19	99001-06600	13 - 27						
93440-45827	12 - 3		15 - 15	99001-08600	27 - 4						
93450-16068	2 - 14	95817-08040	18 - 7	99009-15400	12 - 14						
94107-16800	22 - 5	95817-10040	27 - 22	99009-17400	13 - 4						
94108-16800	24 - 2	95817-10060	9 - 17	99234-00080	17 - 23						
94207-16800	22 - 6	95827-06020	21 - 14	99236-00080	17 - 23						
94208-16800	24 - 3	97027-06010	9 - 4	99480-05010	10 - 15						
94568-A6090	4 - 6	97080-06008	9 - 11	99530-10114	1 - 20						
94701-00846	1 - 18	97507-06525	30 - 7		1 - 21						
95027-06008	36 - 11	97607-06220	6 - 8		10 - 7						
95027-06010	13 - 3	97607-06225	6 - 10		11 - 11						
95027-06012	6 - 12	9760L-04212	26 - 16								
	12 - 9	97707-50014	16 - 10								
95027-06016	10 - 17		17 - 2								
	11 - 38		17 - 6								